



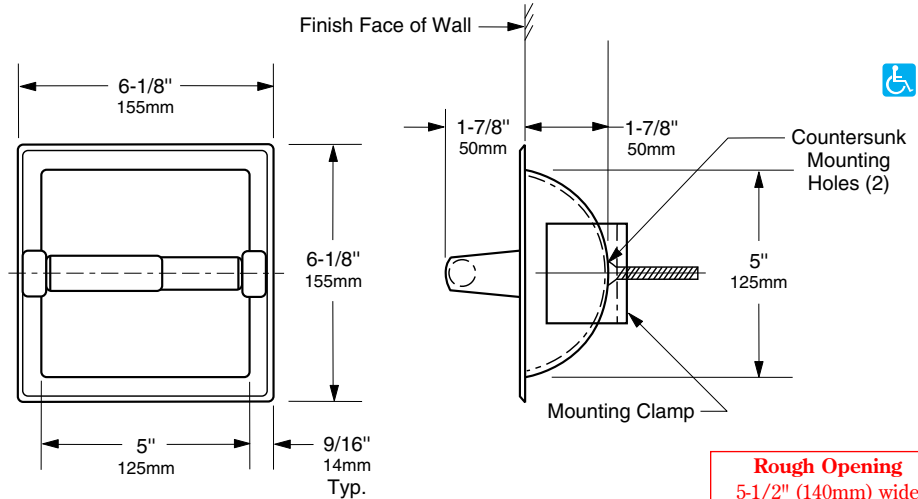
Technical Data

RECESSED TOILET TISSUE DISPENSER (FOR STUD WALL OR COUNTERTOP APRONS)

B-667 B-6677

Specify Model Required: Model B-667 Bright polished stainless steel
 Model B-6677 Satin-finish stainless steel

Distributed by
www.PandaProducts.com
 Phone: (800) 608-6568
 Fax: (409) 840-5545
 info@pandaproducts.com



MATERIALS:

Shell and Flange — 18-8 S, type-304, 22-gauge (0.8mm) stainless steel. Drawn, one-piece, seamless construction with two countersunk mounting holes.

Support Posts (2) — Heavy-duty cast zamak with chrome-plated finish.

Mounting Bracket — Plated steel mounting clamp attaches to back of unit with two sheet-metal screws for installation in stud wall construction and countertop aprons.

Spindle — Chrome-plated plastic equipped with heavy-duty internal spring.

Designer's Note: Theft-resistant toilet tissue spindle, which is removable only with special key provided, is available as an optional accessory. To specify, add suffix .60 to model number. Example: B-667.60.

INSTALLATION:

Provide framed rough opening 5-1/2" wide x 5-1/4" high (140 x 135mm). Minimum recessed depth required from finish face of wall or apron is 3-3/8" (85mm).

For installation in stud wall construction and countertop aprons without backing: Loosely attach mounting clamp to back of unit with sheet-metal mounting screws. Insert into rough opening. Adjust mounting clamp so it grips surface inside rough opening. Secure in place by tightening two sheet-metal mounting screws.

For installation in stud wall construction and countertop aprons with backing: Discard mounting clamp furnished with unit. Insert unit only into rough opening and secure with sheet-metal screws furnished. Backing must comply with local building codes.

SPECIFICATION:

Recessed stainless steel toilet paper holder shall be constructed of type-304, 22-gauge (0.8mm) stainless steel with _____ (insert one: bright polished or satin) finish. Shell and flange shall be drawn, one-piece, seamless construction. *Spindle shall be equipped with a heavy-duty internal spring. Unit shall be furnished with plated steel mounting clamp for stud wall construction and countertop aprons. Manufacturer's service and parts manual shall be provided to the building owner/manager upon request.

**To specify theft-resistant spindle as an optional accessory, add to specification:* Theft-resistant toilet tissue spindle shall be removable only with special key provided.

Recessed Stainless Steel Toilet Paper Holder shall be Model _____ (insert model number) of Bobrick Washroom Equipment, Inc., Clifton Park, New York; Jackson, Tennessee; Los Angeles, California; Bobrick Washroom Equipment Company, Scarborough; Bobrick Washroom Equipment Pty. Ltd., Australia; and Bobrick Washroom Equipment Limited, United Kingdom.