



**BUILDING VALUE SINCE 1906**



## **Restroom Accessory Catalog**

Distributed by  
[www.PandaProducts.com](http://www.PandaProducts.com)  
Phone: (800) 608-6568  
Fax: (409) 840-5545  
[info@pandaproducts.com](mailto:info@pandaproducts.com)

# Portfolio of Values

---



Architects, developers and facility managers have selected Bobrick's performance-engineered restroom accessories with confidence for more than a century. As the market leader, we deliver building owner value through design excellence, compliance, sustainability, and economical cost-in-use.



Three design-integrated series of accessories include ConturaSeries® for prestige properties, TrimLineSeries™ for up scale buildings and ClassicSeries® for standard use and heavy-traffic projects. From Class A to education and healthcare, recessed and surface-mounted, we have your design.



Our products are engineered to meet the latest accessibility requirements including wall protrusion, mounting heights, reach ranges and operation. Bobrick also provides detailed consultation on compliant product selection and installation. Bobrick/Koala meet ADA-ABA, ICC/ANSI, ASTM, EN.



Bobrick is at the forefront of the touch-free commercial restroom with automatic models to limit cross contamination. Our stainless products are easy to maintain and sanitize through regular cleaning. Microban® Antimicrobial protection is a Koala® baby changing station exclusive.



Accessories fabricated of 50%-70% post-industrial stainless steel contribute toward LEED certification. Soap and towel dispensers are engineered to reduce consumables usage eliminating the need for proprietary towels and soap cartridges, thereby reducing the operating footprint of a given building.



Robust engineering and built-in maintainability are the standards for Bobrick restroom accessories and Koala products, providing life-of-the-building functionality with appropriate maintenance. Reduced repair and replacement costs also deliver a positive impact on the operating budget.



Cost-in-use savings are also trademarks of Bobrick restroom accessories. Products are designed to control soap and paper towel usage, reduce labor and maintenance expense, and to be vandal-resistant. Savings calculators, available online, confirm the substantial savings and return on investment.



Non-proprietary dispensing of universal paper towels and bulk soap help building owners escape the high prices of consumables contracts common to closed system products. This facilitates open-market procurement and the ability to take advantage of a large variety of soap and towel options.



## WHAT'S NEW

Architects and designers acknowledge that healthcare projects are among the most complex. Bobrick answers these needs with a collection of new and specialized products in concert with a comprehensive line of accessories. For a free copy, visit [bobrick.com](http://bobrick.com).



Healthcare Products Brochure



Planning Guide for Accessible Restrooms

## SYMBOLS AND RESOURCES



The wheelchair designates accessories that meet ADA Accessibility Guidelines. For a free copy, visit [bobrick.com](http://bobrick.com).



Many Bobrick products assist in fulfilling sustainability and LEED objectives; for example, 50%-70% recycled stainless steel fabrication. See TB-88.



Products with the black QuickShip symbol ship within two days of receipt of order in the U.S. and Canada; products with the white QuickShip symbol apply to the U.S. only.

[VISIT BOBRICK.COM FOR MORE INFORMATION](http://bobrick.com)

## Table of Contents

### RESTROOM ACCESSORIES:

Towel/Waste Units, Combination	5
Paper Towel Dispensers	9
Sanitary Napkin/Tampon Vendors	11
Waste Receptacles, Wall-Mounted	12
Waste Receptacles and Reusable Vinyl Liners	12
Waste Receptacles, Floor-Standing	13
Soap Dispensers, Manual Counter-Mounted	14
Soap Dispensers, SureFlo Dispensing System	15
Soap Dispensers, Automatic SureFlo	16
Soap Dispenser, Designer SureFlo	17
Soap Dispensers, Wall-Mounted	18
Hand Dryers	22
Mirrors	24

### TOILET COMPARTMENT ACCESSORIES:

Toilet Tissue Dispensers	19
Cubicle Collection	20
Toilet Compartment Accessories	26
Sanitary Napkin Disposals	28
Toilet Seat Cover Dispensers	29
Grab Bars	30
Grab Bars, Vinyl-Coated Antimicrobial	31

### SPECIALTY PRODUCTS:

Bathroom Accessories	32
Shower/Tub Accessories	33
Hooks/Shelves/Custodial Accessories	35
Specimen Pass-Thru Cabinet	37
Koala Kare® Child Care Products	38
Warranties/Patents	39

MODEL NO.	PAGE NO.	MODEL NO.	PAGE NO.	MODEL NO.	PAGE NO.	MODEL NO.	PAGE NO.
B-1556 Series	25	B-298	37	B-4380	32	B-6897	31
B-165 Series	24	B-299	33	B-4388	19	B-6898.99	30
B-1656 Series	25	B-301	29	B-4390	32	B-697	20
B-1658 Series	25	B-3013	29	B-43944	6	B-6977	20
B-1659 Series	25	B-306	18	43944-134	7	B-699	20
B-166 Series	24	B-3094	26	B-43949	6	B-6997	20
204-1	33	B-318	10	B-4706	11	B-6999	20
204-2	33	B-347	26, 27	B-47064	11	B-69997	20
204-3	33	B-3471	26, 27	B-47069	11	B-7120	23
B-207	33	B-34715	26, 27	B-49916	31	B-7125	22
B-211	36	B-3474	26, 27	B-4998	31	B-7128	23
B-2111	18	B-34745	26, 27	B-5050	18	B-7180	23
B-2112	18	B-3479	26, 27	B-50516	37	B-7188	23
B-2116	36	B-353	28	B-50517	37	B-72860	9
B-212	35	B-35303	28	B-5116	36	B-72974	9
B-220816	13	B-354	28	B-517	34	B-750	22
B-221	29	B-357	26, 27	B-518	34	B-7671	35
B-221216	13	B-3571	26, 27	B-5181	34	B-76717	35
B-223	37	B-35715	26, 27	B-518116	34	B-7672	35
B-224	37	B-3574	26, 27	B-5191	34	B-76727	35
B-2250	13	B-35745	26, 27	B-5192	34	B-7685	21
2250-3	12	B-3579	26, 27	B-5193	34	B-76857	21
B-2260	13	B-359	10	B-5221	29	B-7686	21
B-2280	13	B-35903	10	B-526	8	B-76867	21
B-2300	13	B-3644	12	B-5262	10	B-770	23
B-232	36	367-60	5	B-5270	28	B-778	23
B-233	35	368-60	5	B-5288	19	B-81212	15
B-239	37	B-369	8	B-529	13	B-81312	15
B-2400	13	369-130	7, 8, 10	B-530	32	B-81412	15
251-4	30	B-36903	8	B-532	13	B-822	14
252-30	30	B-3699	8	B-541	20	B-8221	14
B-253	9	3706-176	11	B-5416	20	B-82216	14
2583	30	B-3706	11	B-542	20	B-8226	14
2586	30	B-37063	11	B-5426	20	B-823	14
B-262	10	B-370634	11	B-543	20	B-8231	14
262-130	7, 10	B-370639	11	B-5436	20	B-82316	14
B-2620	10	B-3725	22	B-544	20	B-8236	14
B-2621	10	B-3803	7	B-5446	20	824-201	16
B-26212	10	3803-130	7	B-545	20	B-824	16
B-263	10	B-38032	7	B-5456	20	824-241	16
B-264	21	B-38034	7	B-5806 Series	30	B-830	15
B-265	21	B-380349	7	B-580616 Series	31	830-341	15
B-26607	18	B-386	26	B-5837	31	830-359	15
B-26617	18	B-3888	19	B-58616	31	830-372	15
B-26627	18	B-39003	7	B-5897	31	833-359	15
B-26637	18	39003-130	7	B-5898	30	833-372	15
B-268	12	B-3942	6	B-6047	33	B-8397	32
268-14	12	B-3944	6	B-6107	33	B-918116L	34
B-270	28	3944-52	5	B-6637	20	B-918116R	34
B-2706	11	3944-130	6, 7	B-667	20	B-840	17
B-272	19	3944-134	5, 6, 7, 12	B-6677	20	B-845	17
B-273	21	B-3947	6	B-6697	20	B-846	17
B-2730	21	B-3949	6	B-6699	20	B-848	17
B-274	21	B-3961	5	B-66997	20	B-849	17
B-2740	21	3961-50	5	B-670	35	B-850	17
B-27460	21	B-39617	5	B-6707	35	B-855	17
B-275	12	B-39619	5	B-671	35	B-856	17
275-14	12	B-397	33	B-6717	35	B-858	17
B-277	12	B-3974	5	B-672	35	B-859	17
B-279	12	B-39747	5	B-6727	35	B-8870	17
279-14	12	3974-57	5, 9, 16, 17	B-673	32	B-8875	17
B-2840	21	3974-250	5, 9	B-6737	32	B-8876	17
B-2860	9	B-3979	5	B-674	32	B-8878	17
B-287	37	B-398	33	B-6747	32	B-942	25
B-2888	19	B-40	18	B-676	32	B-983	36
B-2890	19	B-4063	18	B-677	35	B-985	36
B-2892	19	B-4112	18	B-6777	35	KB101-00	38
B-290 Series	24	B-42	18	B-6806 Series	30	KB110-SSRE	38
B-2906 Series	25	B-4207	33	B-68137	31	KB110-SSWM	38
B-2908 Series	25	B-4221	29	B-682	36	KB200-00	38
B-2909 Series	25	B-4262	10	B-6827	36	KB200-01SS	38
B-292 Series	24	B-4288	19	B-683	32	KB200-05SS	38
B-293 Series	25	B-4353	28	B-685	21		
B-294 Series	25	B-4354	28	B-6857	21		
B-295	37	B-43644	12	B-686	21		
B-296	37	43644-134	7, 12	B-6861	31		
B-297	33	B-4369	8	B-68616	31		
B-2974	9	4369-134	7	B-6867	21		
B-29744	9	B-43699	8	B-687	32		

# Restroom Accessory Series



## ConturaSeries®

- Gentle 27° curvilinear design.
- Spec for corporate headquarters, Class A commercial buildings, civic icons and performing art centers.
- Choice of recessed and surface-mounted models.
- Designed for consistent styling.
- Flush tumbler locks.
- Exclusive TowelMate® and LinerMate® features for towel and maintenance labor savings.



Monoform draws result in seamless design.



## TrimLineSeries®

- Minimalistic design for clean, flush lines with concealed flanges.
- Spec for contemporary environments from prestige, hospitality, healthcare and retail properties.
- Designed for accessory and plumbing integration throughout the restroom.

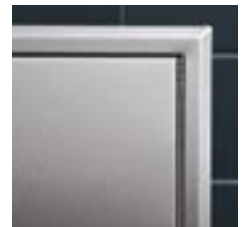


Rectangular design for Bauhaus architecture.



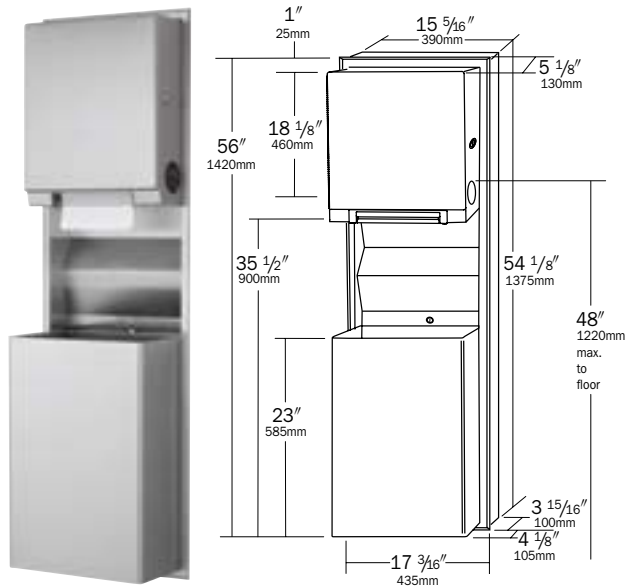
## ClassicSeries®

- Traditional standard of value for market category, ideal for budget-sensitive projects.
- Spec for standard use buildings: commercial office, institutional and industrial.
- Largest selection of models for all Type 4 restroom accessories.
- Improved Automatic, Universal Roll Paper Towel dispenser series performance engineered with signal lights for ease of operation and maintenance.



"Classic" beveled flange for installation ease.

# Convertible Towel/Waste Units



## B-3961 ClassicSeries RECESSED CONVERTIBLE PAPER TOWEL DISPENSER/WASTE RECEPTACLE



Unit includes convertible universal, roll paper towel module and removable 12-gal. waste receptacle module. Satin-finish stainless steel. Seamless beveled flange. Touch-free, pull-towel mechanism dispenses 12" length per pull. Accommodates 8" wide, up to 8" dia. rolls, 800 ft long, plus 3 1/2" dia. stub roll with automatic transfer. Waste receptacle is locked into cabinet. Receptacle has 12-gal. capacity.

**B-39619** Similar to B-3961, but with 4" skirt for surface mounting.

**B-39617** Similar to B-3961, but with 18-gal. waste receptacle.

⚡ **3944-134 LinerMate Accessory**

## IMPROVED



## B-3974 ClassicSeries RECESSED CONVERTIBLE AUTOMATIC, UNIVERSAL ROLL TOWEL DISPENSER/WASTE RECEPTACLE



New, intuitive, patron-friendly light clearly directs users to towel activation zone, eliminating hand waving. Convertible automatic universal, roll paper towel dispenser and removable 12-gal. waste receptacle module. Satin-finish stainless steel. Seamless beveled flange. Waste receptacle is locked into cabinet. Receptacle has 12-gal. capacity. Requires 4 D-cell batteries not included.

**B-3979** Similar to B-3974, but with 4" skirt for surface mounting.

**B-39747** Similar to B-3974, but with 18-gal. waste receptacle.

⚡ **3944-134 LinerMate Accessory**

**3974-57 AC Adaptor (6V)** available for B-3974, B-3979, B-39747 and 3974-250.

## Interchangeable towel dispenser modules for B-3944, B-3961, B-3974 Series:

Modules convert from and to automatic and touch-free roll towel and folded towel.



**3944-52** folded towel dispenser module. Can be ordered separately to fit existing cabinets.

Modules dispense universal, economically-priced products compared to proprietary contracts.



**3961-50** touch-free, pull-towel dispenser module. Can be ordered separately to fit existing cabinets.

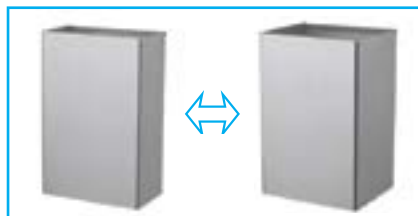
Conversions are made without replacing existing cabinets in the wall.



**3974-250** automatic dispenser module. Can be ordered separately to fit existing cabinets.

## Interchangeable Receptacles:

Choose from 12 and 18-gal. waste receptacles. Fit B-3944, B-3961, B-3974 Series.

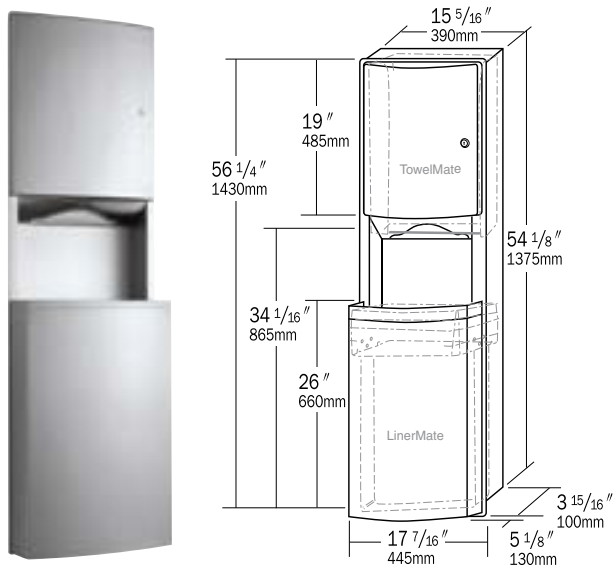


**367-60** 12-gal.

**368-60** 18-gal.

Distributed by  
www.PandaProducts.com  
Phone: (800) 608-6568  
Fax: (409) 840-5545  
info@pandaproducts.com

# Combination Towel/Waste Units



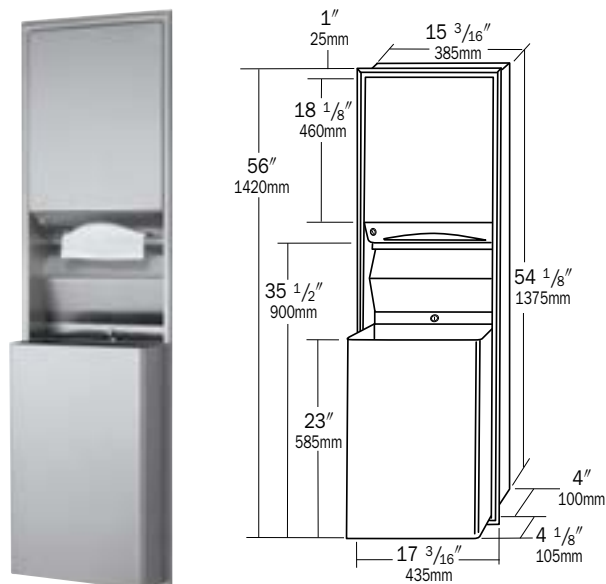
## ⚡ B-43944 ConturaSeries RECESSED PAPER TOWEL DISPENSER/WASTE RECEPTACLE STANDARD WITH TowelMate AND LinerMate



Satin-finish stainless steel. Flush tumbler lock. Dispenses 600 C-fold or 800 multifold towels. Removable front panel for easy cleaning. Includes TowelMate and LinerMate accessories. Receptacle has 15-gal. capacity.

**B-43949** Similar to B-43944, but with skirt for surface mounting.

**NOTE:** See page 7 for TowelMates and LinerMates for existing units.



## ⚡ B-3944 ClassicSeries RECESSED CONVERTIBLE PAPER TOWEL DISPENSER/WASTE RECEPTACLE



Unit includes convertible folded paper towel module and 12-gal. waste receptacle module. Satin-finish stainless steel. Seamless beveled flange. Dispenses 600 C-fold or 800 multifold towels. Removable waste receptacle is locked into cabinet. Receptacle has 12-gal. capacity.

**B-3942** Similar to B-3944, but with skirt for semi-recessing in 2" walls.

**B-3949** Similar to B-3944, but with skirt for surface mounting.

**B-3947** Similar to B-3944, but with 18-gal. waste receptacle.

⚡ **3944-130 TowelMate Accessory**

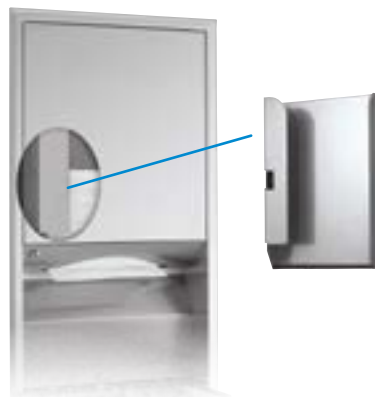


⚡ **3944-134 LinerMate Accessory**

## TowelMate reduces towel usage by more than 20%.

### One towel at a time, every time.

Eliminates the dispensing of handfuls of towels with the "Perfect Pull Rod" separating and dispensing individual C- or multifold towels. Patented TowelMate accessory installs in existing cabinets without tools and fits all Bobrick dispensers and similar models of other manufacturers.



### How much will you save?

In a typical office building with 40 folded towel dispensers, the C-fold usage was 33 cases per month, or \$8,000 per year. By using TowelMates, usage dropped 21% for a savings of \$1,700 annually. There are additional savings with the use of multifold towels as well as reduced maintenance expense. Visit [bobrick.com](http://bobrick.com) for an interactive Cost Savings Calculator.



### Eliminate liner overhang.

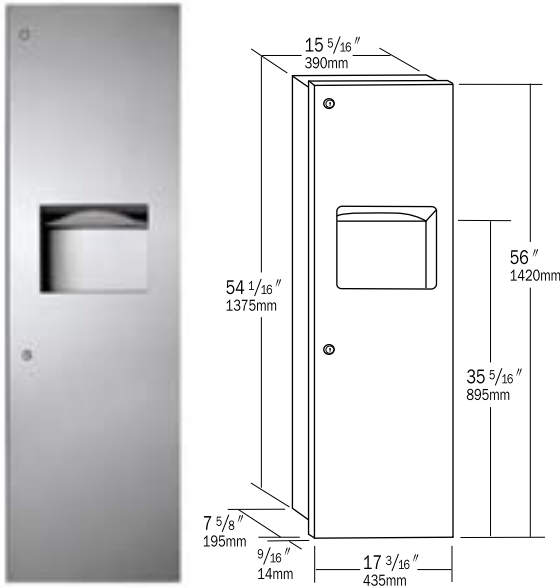
LinerMate improves restroom appearance by securing trash bag into waste receptacle for a flush, out-of-sight fit.



### Specifying TowelMates and LinerMates:

When selecting folded towel dispensers and/or waste receptacles, use the model number of your choice and add the appropriate TowelMate and LinerMate model numbers to complete your specification. Accessories can also be ordered for similar models of like description. See chart on page 7.

# Combination Towel/Waste Units

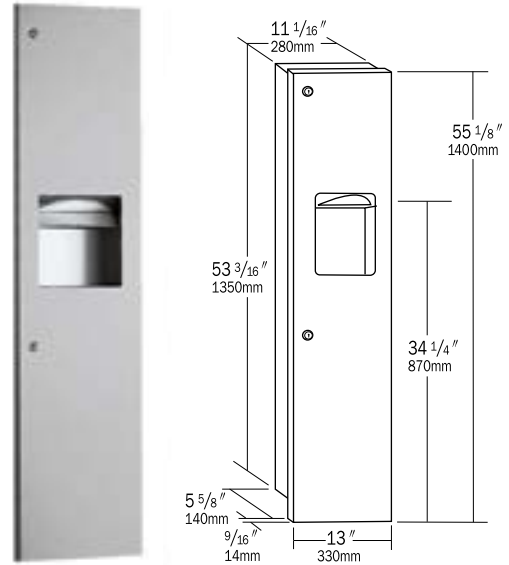


## B-39003 TrimLineSeries RECESSED PAPER TOWEL DISPENSER/WASTE RECEPTACLE



Satin-finish stainless steel. Door has 90° return, conceals flange. Dispenses 600 C-fold, 800 multifold or 1100 single-fold towels. Removable, leak-proof, 12-gal. waste container.

**39003-130 TowelMate Accessory**



## B-3803 TrimLineSeries RECESSED PAPER TOWEL DISPENSER/WASTE RECEPTACLE



Satin-finish stainless steel. Door has 90° return, conceals flange. Dispenses 600 C-fold, 800 multifold or 1100 single-fold towels. Removable, leak-proof, 6.3-gal. waste container.

**B-38032** Similar to B-3803, but with 2" skirt for semi-recessed installation.

**B-38034** Similar to B-3803, but requires 3 3/4" min. depth. Waste capacity: 3.8-gal. Dispenses C-fold and multifold towels.

**B-380349** Similar to B-38034, but with skirt for surface mounting.

**3803-130 TowelMate Accessory**

**3944-130 TowelMate Accessory**

### TowelMate/LinerMate part numbers for existing ConturaSeries units.

ConturaSeries	TowelMate Part No.	LinerMate Part No.
B-4262	369-130	N/A
B-43644	N/A	43644-134
B-4369, B-43699	369-130	4369-134
B-43944, B-43949	3944-130	43944-134
B-277	N/A	3944-134

### LinerMate fits Classic, Gamco and other manufacturers' units.

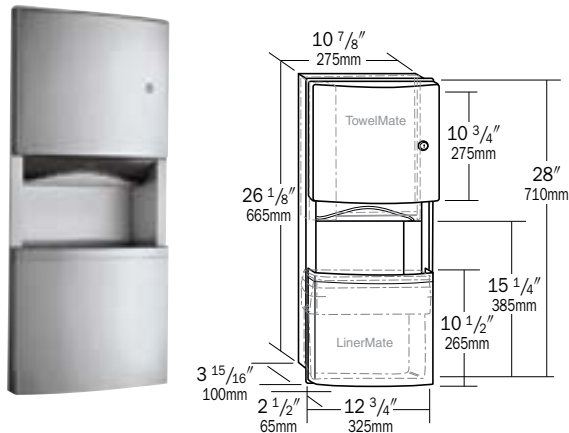
Part No.	Applications
3944-134	Bobrick ClassicSeries Gamco TW Series Gamco WR Series Other Mfrs.



### TowelMate fits TrimLine, Classic, Gamco and other manufacturers' units.

Part No.	Manufacturer	Model Number Application
3803-130	Bobrick TrimLine	B-3803, B-38032
369-130	Bobrick TrimLine	B-35903, B-36903
	Bobrick Classic	B-359, B-369, B-3699
3944-130	Bobrick Classic	B-3942, B-3944, B-3947, B-3949
	Bobrick TrimLine	B-38034, B-380349
	Gamco TW	TW -1, -1FS, -1-18
	Other Mfgs.	Towel/Waste similar to B-3944
262-130	Bobrick Classic	B-262, B-2620, B-2621, B-26212
	Gamco TD	TD -2, -2-8
	Other Mfgs	Towel Dispensers similar to B-262
39003-130	Bobrick TrimLine	B-39003

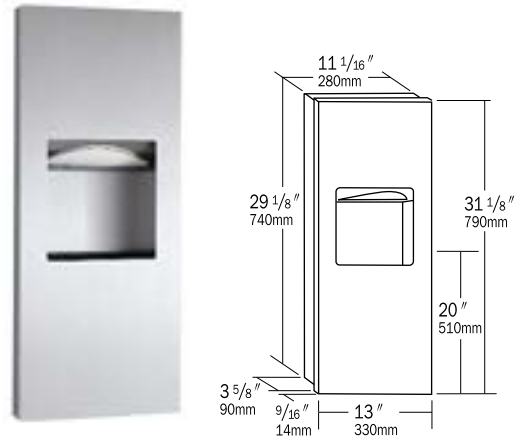
# Combination Towel/Waste Units



**B-4369 ConturaSeries RECESSED PAPER TOWEL DISPENSER/WASTE RECEPTACLE STANDARD WITH TowelMate AND LinerMate**  
Satin-finish stainless steel. Flush tumbler lock. Dispenses 350 C-fold or 475 multifold towels. Waste receptacle has 3-gal. capacity; projects 2 1/2" from wall. Removable front panel for cleaning.

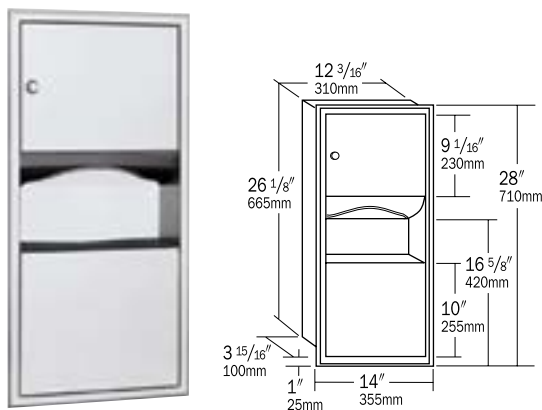
**B-43699** Similar to B-4369, but with skirt for surface mounting.

**NOTE:** See page 7 for TowelMates and LinerMates for existing units.



**B-36903 TrimLineSeries RECESSED PAPER TOWEL DISPENSER/WASTE RECEPTACLE**  
Satin-finish stainless steel. Door has 90° return. Dispenses 300 C-fold or 400 multifold towels. Removable, leak-proof, 1.6-gal. waste container.

**369-130 TowelMate Accessory**



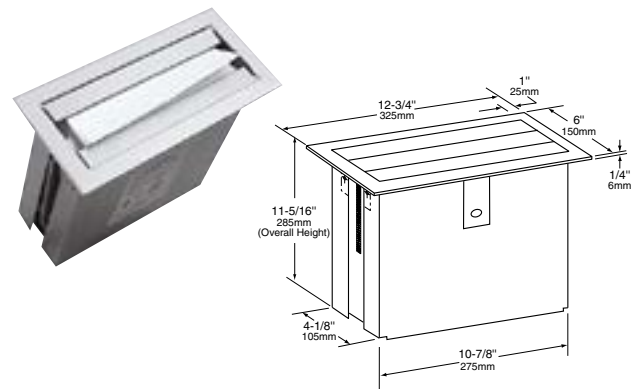
**B-369 ClassicSeries RECESSED PAPER TOWEL DISPENSER/WASTE RECEPTACLE**  
Satin-finish stainless steel. Seamless beveled flange. Dispenses 350 C-fold or 475 multifold towels. Knob-latch retains door. Removable waste container has 2-gal. capacity.

**B-3699** Similar to B-369, but with stainless steel skirt for surface mounting.

**369-130 TowelMate Accessory**



## Countertop Towel Dispenser



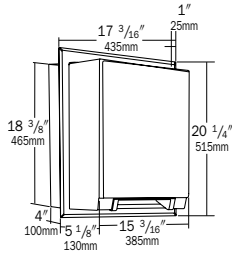
**B-526 TrimLineSeries COUNTERTOP MOUNTED PAPER TOWEL DISPENSER**  
Satin-finish stainless steel. Flange has 90° return. Towels load into top of dispenser. Dispenses 300 C-fold or multifold towels. Unit 12 3/4" W, 6" front to back depth; 17" min. clearance below mounting surface is required. Housing below countertop to conceal dispenser is not included.





# Paper Towel Dispensers

IMPROVED



## B-2974 AUTOMATIC, UNIVERSAL SEMI-RECESSED ROLL PAPER TOWEL DISPENSER

New, intuitive, patron-friendly light clearly directs users to towel activation zone, eliminating hand waving. Similar to B-2974 with seamless satin-finish stainless steel beveled flange. Requires 4 D-cell batteries not included.

**3974-57 AC Adapter (6V)** available.

IMPROVED



## B-2974 AUTOMATIC, UNIVERSAL SURFACE-MOUNTED ROLL PAPER TOWEL DISPENSER

New, intuitive, patron-friendly light clearly directs users to towel activation zone, eliminating hand waving. Satin-finish stainless steel. Door has tumbler lock and piano-hinge. Unit 15 3/16" W, 18 1/4" H, 9" D. Requires 4 D-cell batteries not included.

**3974-57 AC Adapter** available.



## B-2860 SURFACE-MOUNTED ROLL PAPER TOWEL DISPENSER

Satin-finish stainless steel. Touch-free, pull-towel mechanism dispenses 12" length per pull (1.8 lbs) of universal towels. Accommodates 8" wide, up to 8" diameter rolls, 800 ft long, plus 3 1/2" diameter stub roll with automatic transfer. Door has tumbler lock and piano-hinge. Unit 11 3/4" W, 15" H, 9" D.

IMPROVED



## B-3974-250 INTERCHANGEABLE AUTOMATIC, UNIVERSAL ROLL PAPER TOWEL DISPENSER MODULE

Interchangeable convertible module designed for installation in B-3944 and B-3961 purchased after July 2006. New, intuitive, patron-friendly light clearly directs users to towel activation zone, eliminating hand waving. Satin-finish stainless steel. Projects 5 1/8" from wall. Requires 4 D-cell batteries not included.

**3974-57 AC Adapter** available.



## B-72974 AUTOMATIC, UNIVERSAL SURFACE-MOUNTED ROLL PAPER TOWEL DISPENSER

Durable plastic construction; translucent navy cover. Locking cabinet. Unit 12 3/8" W, 15 1/4" H, 9 1/2" D. Requires 4 D-cell batteries not included.

**3974-57 AC Adapter (6V)** available.



## B-72860 SURFACE-MOUNTED ROLL PAPER TOWEL DISPENSER

Durable plastic construction; translucent cover. Touch-free, pull towel mechanism dispenses 12" length per pull (1.8 lbs) of universal towels. Accommodates 8" wide, up to 8" dia. rolls, 800 ft long, plus 3 1/2" dia. stub roll with automatic transfer. Locking cabinet with removable and permanent keys. Unit 12 1/2" W, 15 1/2" H, 9 1/2" D.



## B-253 SURFACE-MOUNTED ROLL PAPER TOWEL DISPENSER

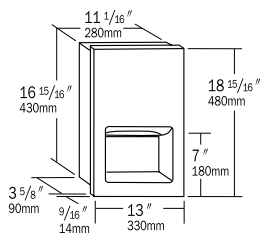
Heavy-duty aluminum casting, satin finish. Molded plastic spindle has concealed locking device; removed with special key furnished. Controlled delivery. Holds paper towel rolls up to 6" dia. Unit 12 1/2" wide and projects 4 7/8" from wall.

Distributed by  
[www.PandaProducts.com](http://www.PandaProducts.com)  
 Phone: (800) 608-6568  
 Fax: (409) 840-5545  
[info@pandaproducts.com](mailto:info@pandaproducts.com)



# Paper Towel Dispensers

Distributed by  
**www.PandaProducts.com**  
 Phone: (800) 608-6568  
 Fax: (409) 840-5545  
 info@pandaproducts.com

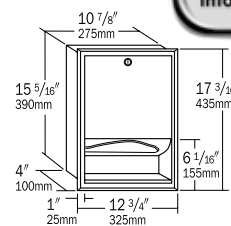


**B-35903 TrimLineSeries RECESSED PAPER TOWEL DISPENSER**



Satin-finish stainless steel. Door has 90° return. Dispenses 300 C-fold or 400 multifold towels.

**369-130 TowelMate Accessory**



**B-359 ClassicSeries RECESSED PAPER TOWEL DISPENSER**



Satin-finish stainless steel. Seamless beveled flange. Dispenses 350 C-fold or 475 multifold towels. Door equipped with full-length stainless steel piano-hinge at bottom; swings down for easy filling.

**369-130 TowelMate Accessory**



**B-4262 ConturaSeries SURFACE-MOUNTED PAPER TOWEL DISPENSER WITH TowelMate**

Satin-finish stainless steel. Tumbler lock on top of cabinet. Door swings down for loading towels. Dispenses 400 C-fold or 525 multifold towels. Cabinet slots indicate refill time. Unit 10 13/16" W, 13 1/4" H, 4 7/8" D.

**369-130 TowelMate Accessory**



**B-262 ClassicSeries SURFACE-MOUNTED PAPER TOWEL DISPENSER**



Satin-finish stainless steel. Dispenses 400 C-fold or 525 multifold towels. Door has tumbler lock and piano-hinge. Hemmed towel tray opening. Unit 10 3/4" W, 14" H, 4" D.

**B-2620** Similar to B-262, but with knob-latch.

**262-130 TowelMate Accessory**



**B-2621 ClassicSeries SURFACE-MOUNTED PAPER TOWEL DISPENSER**



Satin-finish stainless steel. Dispenses 200 C-fold or 275 multifold towels. Door has knob-latch. Hemmed towel tray opening. Unit 10 3/4" W, 7 1/8" H, 4" D.

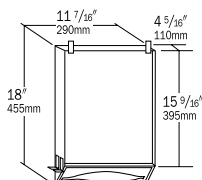
**B-26212** Similar to B-2621, but with tumbler lock.

**262-130 TowelMate Accessory**



**B-263 SURFACE-MOUNTED PAPER TOWEL DISPENSER**

Satin-finish stainless steel. Tumbler lock on top of cabinet. Dispenses 400 single-fold towels. Cabinet slots indicate refill time. Unit 12 1/8" W, 7 1/4" H, 6 1/8" D.



**B-318 CONCEALED PAPER TOWEL DISPENSER**



Satin-finish stainless steel. Dispenses 600 C-fold or 800 multifold towels. Towels load into bottom of cabinet concealed behind wall or mirror; only the towel tray is visible.



**B-5262 MatrixSeries SURFACE-MOUNTED PAPER TOWEL DISPENSER**

Durable ABS plastic; grey color. Dispenses 400 C-fold or 525 multifold towels. Cabinet slots indicate refill time. Door has concealed locking device. Unit 11 1/2" W, 15 1/4" H, 4 3/4" D.

# Certified ADA-Compliant Napkin/Tampon Vendors

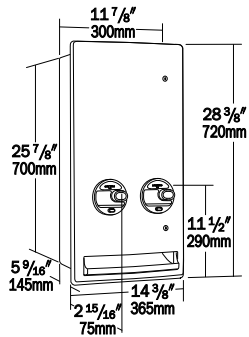


## Push-button operation, less than 5 lbs of force, no grasping, pinching or twisting of the wrist.



- Meets ADA-ABA and ICC/ANSI Accessibility Guidelines for Operation.
- For 25¢, add 25 to model number. For no-charge operation, add C to model number. For Token operation, add T to model number. Easy coinage conversion in the field.
- Mechanical operation, no batteries or electricity required.
- Returned coin by-pass mechanism and drop into product tray.
- Easy access product tray.
- Push-button coin return cancels product selection.
- Empty product indicator automatically blocks coin slot.
- Holds 30 tampons, 20 napkins.
- Keyed like other Bobrick accessories.
- Separately-keyed coin box lock for management access.

50¢ Conversion Kits available contact customer service.



### ConturaSeries



#### B-4706 RECESSED\*

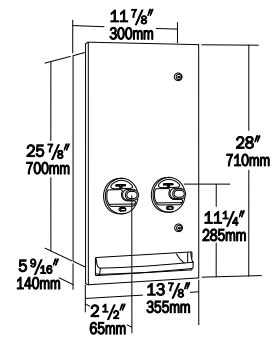
Door with 27° arc and two flush door locks; soft radius on edges and corners.

#### B-47064 SEMI-RECESSED\*

Similar to B-4706, but with stainless steel skirt for semi-recessing in 4" deep walls.

#### B-47069 SURFACE-MOUNTED

Similar to B-4706, but with stainless steel skirt for surface mounting.



### TrimLineSeries



#### B-37063 RECESSED\*

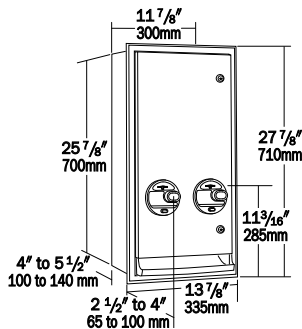
Flat door design has 90° returns, conceals flange.

#### B-370634 SEMI-RECESSED\*

Similar to B-37063, but with stainless steel skirt for semi-recessing in 4" deep walls.

#### B-370639 SURFACE-MOUNTED

Similar to B-37063, but with stainless steel skirt for surface mounting.



### ClassicSeries



#### B-3706 RECESSED OR SEMI-RECESSED\*

Adjustable seamless beveled flange allows fully-recessed installation in 6" deep walls or semi-recessed installation in 4" to 6" deep walls.



### ClassicSeries



#### B-2706 SURFACE-MOUNTED

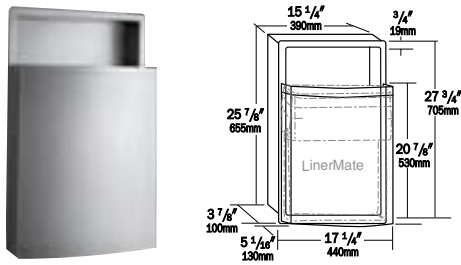
Similar to B-3706 without adjustable flange for surface mounting.

#### 3706-176 FLANGE KIT

For use with ADA-Compliant Push-Button Operated Vendors. Allows for recessing ADA-Compliant Push-Button Operated Napkin Tampon Vendors into pre-existing wall openings with larger dimensions.

\* Complies with ADA-ABA and ICC/ANSI Protruding Objects Limit of maximum 4" protrusion into circulation path depending on wall depth.

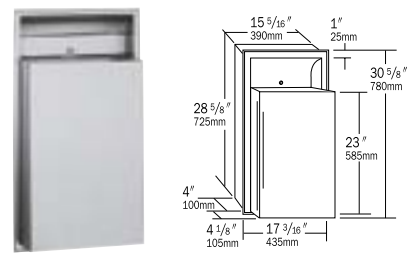
# Wall-Mounted Waste Receptacles



## B-43644 ConturaSeries RECESSED WASTE RECEPTACLE WITH LinerMate

Satin-finish stainless steel. Removable front panel for easy cleaning. Capacity: 12.8-gal.

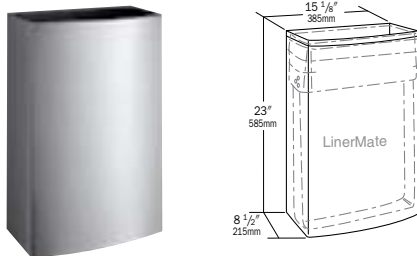
43644-134 LinerMate Accessory



## B-3644 ClassicSeries RECESSED WASTE RECEPTACLE

Satin-finish stainless steel. Seamless beveled flange. Removable, receptacle locks into cabinet. Capacity: 12-gal.

3944-134 LinerMate Accessory



## B-277 ConturaSeries SURFACE-MOUNTED WASTE RECEPTACLE STANDARD WITH LinerMate

Satin-finish stainless steel. Top edges are hemmed and bottom of waste receptacle has recessed finger grip for safe handling. Capacity: 12.8-gal.

3944-134 LinerMate Accessory



NEW

## B-268 SURFACE-MOUNTED CORNER WASTE BIN

Ideal for installation near exits where patrons use paper towels to assist door opening. Satin-finish stainless steel. Top and bottom edges hemmed for safety. Hooks hold furnished reusable vinyl liner. Capacity: 49.2 L. Unit 20 1/2" W, 23" H, 12 5/8" D.



## B-279 SURFACE MOUNTED WASTE RECEPTACLE

Satin-finish stainless steel. Bottom edges hemmed for safety. Hooks hold furnished reusable vinyl liner; removable for servicing. Capacity: 6.4-gal. Unit 14" W, 18" H, 6" D.



## B-275 SURFACE-MOUNTED WASTE RECEPTACLE

Satin-finish stainless steel. Bottom edges hemmed for safety. Hooks hold furnished reusable vinyl liner; removable for servicing. Capacity: 20-gal. Unit 16 1/2" W, 23" H, 12 1/2" D.

### Reusable heavy-gauge vinyl liners:

Part No.	For Model No.
2250-3	B-2250, B-2260
268-14	B-268
275-14	B-275
279-14	B-279

# Floor-Standing Waste Receptacles

Distributed by  
[www.PandaProducts.com](http://www.PandaProducts.com)  
 Phone: (800) 608-6568  
 Fax: (409) 840-5545  
[info@pandaproducts.com](mailto:info@pandaproducts.com)



**B-529 COUNTERTOP-MOUNTED WASTE CHUTE**  
 Rolled flange and exposed surfaces bright-polished stainless steel. Outside dia. 6  $\frac{15}{16}$ ", inside dia. 5  $\frac{1}{2}$ ", chute depth 5". Provides access to under-counter waste receptacle (not included).



**B-532** Similar to B-529, but with flat flange and exposed surfaces satin finish stainless steel. Outside dia. 6  $\frac{3}{16}$ ", Inside dia. 5  $\frac{3}{16}$ ", chute depth 3  $\frac{7}{8}$ ".

**NEW**



**B-220816 FOOT OPERATED WASTE RECEPTACLE**  
 Satin-finish stainless steel with pedal for foot operation. Integrated liner clamp. Capacity 8-gal. Unit 11  $\frac{3}{8}$ " W, 21" H, 12  $\frac{5}{8}$ " D.

**B-221216** Similar to B-220816, but with 12-gal. Unit 13  $\frac{3}{16}$ " W, 23  $\frac{1}{2}$ " H, 4" D.



**B-2250 FLOOR-STANDING WASTE RECEPTACLE WITH TOP**  
 Satin-finish stainless steel. Top with self-closing doors. Vinyl wall bumper, rubber feet. Liner hooks. Capacity: 13-gal. Unit 13  $\frac{3}{8}$ " x 13  $\frac{3}{8}$ " at top, 29  $\frac{1}{2}$ " H.



**B-2280 FLOOR-STANDING WASTE RECEPTACLE WITH OPEN-TOP**  
 Satin-finish stainless steel. Open top. Vinyl wall bumper, rubber feet. Liner hooks. Capacity: 21-gal. Unit 14  $\frac{7}{8}$ " x 14  $\frac{7}{8}$ " at top, 29  $\frac{1}{4}$ " H.  
**B-2260** Similar to B-2280, Capacity 13-gal. Unit 13  $\frac{3}{8}$ " x 13  $\frac{3}{8}$ " at top, 21  $\frac{3}{4}$ " H.



**B-2300 FLOOR-STANDING WASTE RECEPTACLE WITH DOME-TOP**  
 Satin-finish stainless steel body with black steel-domed top. Removable top with fingerprint-resistant textured powder coated finish has 6" dia. opening for hygienic, no-touch disposal of waste. Rigid plastic liner has grommets lift holes. Capacity: 18-gal. Unit 15" dia., 31" H.



**B-2400 FLOOR-STANDING WASTE RECEPTACLE, LARGE-CAPACITY**  
 Satin-finish stainless steel. Removable funnel top with 8  $\frac{1}{4}$ " dia. opening for hygienic, no-touch disposal of waste. Four heavy-duty rubber feet. Rigid plastic liner. Waste container has handle for easy removal. Capacity: 33-gal. Unit 18  $\frac{1}{4}$ " dia., 32" H.

# Counter-Mounted Manual Soap Dispensers

Distributed by  
[www.PandaProducts.com](http://www.PandaProducts.com)  
 Phone: (800) 608-6568  
 Fax: (409) 840-5545  
[info@pandaproducts.com](mailto:info@pandaproducts.com)



## Bobrick's counter-mounted soap dispensers are the standard of quality and economy

- Top-fill convenience features ease of maintenance
- Saves 25% labor costs with no more bending under the counter to change cartridges
- Reduces post-consumer waste by 57%
- Chrome finish for fixture and accessory integration
- Vandal-resistant locking cover and spout
- Nonproprietary dispenser delivers substantial savings versus proprietary cartridges

NEW



### B-823 SERIES MANUAL FOAM SOAP DISPENSER

Features ease of maintenance and labor savings. Vandal-resistant locking cover; corrosion-resistant, bright-polished stainless steel spout and cover; chrome-plated escutcheon; high-impact-resistant ABS body and shank; shatter-resistant polyethylene container.

MODEL NO.	CAPACITY	SPOUT LENGTH	MAX. MTG. THICKNESS
<b>B-823</b>	34-fl oz	4"	3"
<b>B-8231</b>	20-fl oz	4"	3"
<b>B-8236</b>	34-fl oz	6"	3"
<b>B-82316</b>	20-fl oz	6"	3"



### B-822 SERIES MANUAL LIQUID SOAP DISPENSER

Features ease of maintenance and labor savings. Vandal-resistant locking cover and free-turning spout; corrosion-resistant, bright-polished spout, cover and escutcheon; high-impact-resistant ABS body and shank; shatter-resistant polyethylene container.

MODEL NO.	CAPACITY	SPOUT LENGTH	MAX. MTG. THICKNESS
<b>B-822</b>	34-fl oz	4"	4"
<b>B-8221</b>	20-fl oz	4"	1"
<b>B-8226</b>	34-fl oz	6"	4"
<b>B-82216</b>	20-fl oz	6"	1"

# SureFlo® Soap Dispensing System



## B-830 Tank-In-A-Box

- Designed for medium to heavy traffic restrooms
- Serves up to 5 sinks with liquid soap dispensers
- 30% post-consumer waste reduction
- Built-in reservoir eliminates soap waste and outage
- Front-access cabinet for one-minute changeovers
- Handwashes per single cartridge:  
Liquid soap = 13,000
- Under-counter cabinet Type-304 satin stainless steel
- Secured to cabinet with a full-length stainless steel piano-hinge
- Internal swiveling design, rotates 360° without losing air-tight seal
- Low soap indicator
- 10" W, 15 ¼" H in front, 16 ½" H in rear, 18 ⅝" D
- Lifetime hardware warranty with exclusive use of Bobrick SureFlo soap

**NOTE:** Maximum countertop mounting thickness 1 ¾", for thicker countertops up to 4 ¾" order Bobrick Part Number 822-402. One kit required for every counter-mounted soap dispenser.



### How to Specify/Order a FOAM System:

Existing/New B-823 dispensers:

- Cabinet: order one B-830 cabinet per restroom (serves up to five dispensers each)
- Pumps: select one of two types below for each sink:
  - 833-359 for a 4" Spout
  - 833-372 for a 6" Spout



### How to Specify/Order a LIQUID System:

Existing/New B-822 dispensers:

- Cabinet: order one B-830 cabinet per restroom (serves up to five dispensers each)
- Connector Kit: order one 830-341 for each sink
- Pumps: select one of two types below for each sink:
  - 830-359 for a 4" Spout
  - 830-372 for a 6" Spout

### Foam System Cartridge:



**#B-82512**  
12-liter cartridge  
of Green Foam Soap



**#B-81412**  
12-liter cartridge of  
Green Lotion Soap



**B-81312**  
12-liter cartridge of  
Premium Gold Soap



**#B-81212**  
12-liter cartridge of  
Pink Lotion Soap

Distributed by  
[www.PandaProducts.com](http://www.PandaProducts.com)  
Phone: (800) 608-6568  
Fax: (409) 840-5545  
[info@pandaproducts.com](mailto:info@pandaproducts.com)

# SureFlo Automatic, Top-Fill Universal Soap Dispenser

Distributed by  
**www.PandaProducts.com**  
 Phone: (800) 608-6568  
 Fax: (409) 840-5545  
 info@pandaproducts.com



## B-824 AUTOMATIC, TOP-FILL NON-PROPRIETARY LIQUID SOAP DISPENSER



Top filling saves labor; oversize fill port designed for economical bulk jug soap. No more under-counter servicing of screw-on cartridges.



Liquid bulk jug soap save more than 80% compared to proprietary closed-system cartridges at locked in prices; SureFlo ROI averages one year.



Polished chrome finish reflects design continuity with other restroom accessories compared to the plastic retrofit hodge-podge.



Electronic Activation System defines the "dispense zone" eliminating hand waving and false dispensing. Adjustable portion control.



Five 800ml soap cartridges hold approximately the same amount as a one-gal. bulk jug resulting in a 57% reduction of post-consumer waste.

### How much will you save?



### Reduce soap usage by 80%, post-consumer waste by 57%.

Here is a typical example of calculating the savings, based on one sink with one dispenser, comparing bulk fill SureFlo to under-counter proprietary cartridges, resulting in the following savings:

- Per sink, 35 people X 4 hand washes/day = 112ml soap/day
- Equates to 29.5L/year/sink:
  - Bulk soap approximate annual cost \$ 41.01
  - Cartridge soap approximate annual cost \$ 223.24
- Annual soap savings: 82%
- Post-consumer waste reduction: 57%

There are additional labor saving factors such as top-filling compared to frequent under-counter cartridge changeovers. Plus the time consuming convenience of bulk jug soap.



**824-241 BATTERY PACK**  
 Four D-cell batteries last for one year and serve 200,000 handwashes. Batteries not included.



**3974-57 OPTIONAL AC ADAPTER**  
 For model B-824.



**NEW 824-201 AC ADAPTER KIT**  
 Distributor Box used to connect four Dispensers, Single AC Adapter, Four Wire Assemblies.





# Designer Series Automatic Soap Dispensers and Faucets

## New durable construction, new designer finishes

Introducing Bobrick's new Designer Series Automatic Soap Dispensers. All the benefits of the SureFlo B-824, but with the added durability of die-cast zinc body construction. Available in five designer finishes; available with an automatic faucet in a matching finish.

Distributed by  
[www.PandaProducts.com](http://www.PandaProducts.com)  
 Phone: (800) 608-6568  
 Fax: (409) 840-5545  
[info@pandaproducts.com](mailto:info@pandaproducts.com)



**Polished Chrome**



**Brushed Nickel**



**Polished Nickel**



**Oil-Rubbed Bronze\***



**Polished Brass\***



**Automatic Faucet**

Available in matching finishes. Adjustable time-out durations, line purging, adaptable sensor range, LEED flow-rate options.



### Model Numbers

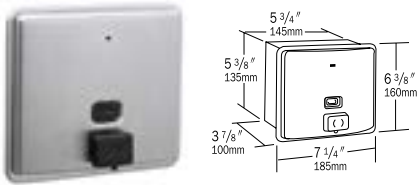
FINISHES	SOAP DISPENSERS LIQUID	FAUCETS
Polished Chrome	B-858	B-8878
Brushed Nickel	B-855	B-8875
Polished Nickel	B-856	B-8876
Oil-Rubbed Bronze*	B-859	N/A
Polished Brass*	B-850	B-8870

3974-57 AC Adapter comes standard with each soap dispenser.  
 824-201 Optional AC Adapter kit, see page 16 for more details.

**\*NOTE:**

Polished Chrome, Polished Nickel, and Brushed Nickel are available on a standard order basis. Polished Brass and Oil-Rubbed Bronze have minimum quantity requirements and longer lead times. Please contact Customer Service for information.

# Soap Dispensers



## B-4063 ConturaSeries RECESSED SOAP DISPENSER



Dispenses all-purpose soaps. Drawn, 20-gauge, one-piece front, satin-finish stainless steel with vessel attached to back.

Capacity: 50-fl oz. Pulls out for filling. Concealed locking device.

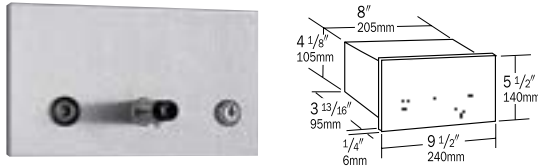


## ⚡ B-4112 ConturaSeries SURFACE-MOUNTED SOAP DISPENSER



Corrosion-resistant valve dispenses commercially marketed all-purpose hand soaps. Container is satin-finish stainless steel.

Capacity: 40-fl oz. Soap refill window. Concealed wall fastening. Hinged filler-top requires special key to open. Vandal-resistant. Unit 7" W, 6 1/8" H; wall to push-button, 3 5/16".



## B-306 TrimLineSeries RECESSED SOAP DISPENSER



Satin-finish stainless steel. Door: 90° return, conceals flange. Door swings open for filling vessel on back. Hinge and tumbler lock secure door to cabinet. Capacity: 45-fl oz. Valve dispenses all-purpose soaps. Soap refill window.



## ⚡ B-2111 ClassicSeries SURFACE-MOUNTED SOAP DISPENSER



Vertical tank is satin-finish stainless steel. Valve dispenses all-purpose hand soaps. Capacity: 40-fl oz. Soap refill window. Concealed wall fastening. Hinged filler-top requires special key to open. Vandal-resistant. Unit 4 3/4" W, 8 1/8" H; wall to push-button, 3 1/2".

⚡ B-2112 Similar to B-2111, but horizontal.

NEW



## B-26627 SURFACE-MOUNTED FOAM SOAP DISPENSER



Satin-finish stainless steel. Accepts foam soap cartridges or bulk-fill soaps. Push activated with less than 5 lbs of force. Capacity: 17-fl oz. Concealed wall fastening. Hinged housing with key lock and soap refill window. Vandal resistant. 3 3/4" x 11 3/4" x 6".

B-26637 Similar to B-26627, with 34 fl-oz. capacity.

NEW



## B-26607 SURFACE-MOUNTED LIQUID SOAP DISPENSER



Satin-finish stainless steel. Accepts liquid soap cartridges or bulk-fill soaps. Push activated with less than 5 lbs of force. Capacity: 17-fl oz. Concealed wall fastening. Hinged housing with key lock and soap refill window. Vandal resistant. 3 3/4" x 11 3/4" x 6".

B-26617 Similar to B-26607, with 34 fl-oz. capacity.



## ⚡ B-40 ClassicSeries SURFACE-MOUNTED SOAP DISPENSER



Two-tone black and grey. Valve dispenses all-purpose soaps. Vandal-resistant lid has keyless locking device, pivots up for easy top filling. Translucent container provides visible soap level. Capacity: 40-fl oz. Concealed wall/mirror mounting, removable for cleaning. Unit 5 13/16" W, 6 7/8" H; wall to push-button, 3 3/16".

B-42 Similar to B-40, but all black.



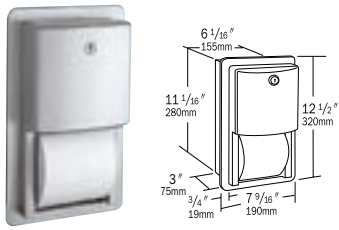
## ⚡ B-5050 MatrixSeries SURFACE-MOUNTED SOAP DISPENSER



Impact-resistant polymer; grey color. Valve dispenses all-purpose hand soaps, removable for easy maintenance. Lid has concealed locking device. Concealed wall/mirror mounting. Large-capacity container: 50-fl oz. Unit 6" W, 8 1/8" H; wall to push-button, 4".

# Toilet Tissue Dispensers

Distributed by  
[www.PandaProducts.com](http://www.PandaProducts.com)  
 Phone: (800) 608-6568  
 Fax: (409) 840-5545  
[info@pandaproducts.com](mailto:info@pandaproducts.com)



## ⚡ B-4388 ConturaSeries RECESSED MULTI-ROLL TOILET TISSUE DISPENSER



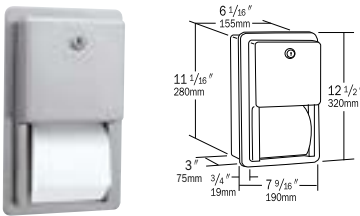
Satin-finish stainless steel unit and dispensing mechanism. Flush tumbler lock. Holds two rolls up to 5 1/4" dia. (1800 sheets). Extra roll drops in place when bottom roll is depleted. Theft-resistant, heavy-duty spindles.



## ⚡ B-4288 ConturaSeries SURFACE-MOUNTED MULTI-ROLL TOILET TISSUE DISPENSER



Satin-finish stainless steel unit with stainless steel dispensing mechanism. Flush tumbler lock. Holds two rolls up to 5 1/4" dia. (1800 sheets). Extra roll automatically drops in place when bottom roll is depleted. Theft-resistant, heavy-duty spindles. Unit 6 1/16" W, 11" H, 5 15/16" D.



## ⚡ B-3888 ClassicSeries RECESSED MULTI-ROLL TOILET TISSUE DISPENSER



Satin-finish stainless steel unit and dispensing mechanism. Door has flat face with protruding tumbler lock. Holds two rolls up to 5 1/4" dia. (1800 sheets). Extra roll drops in place when bottom roll is depleted. Theft-resistant, heavy-duty spindles.



## ⚡ B-2888 ClassicSeries SURFACE-MOUNTED MULTI-ROLL TOILET TISSUE DISPENSER



Satin-finish stainless steel unit with stainless steel dispensing mechanism. Door has flat face with protruding tumbler lock. Holds two rolls up to 5 1/4" dia. (1800 sheets). Extra roll automatically drops in place when bottom roll is depleted. Theft-resistant, heavy-duty spindles. Unit 6 1/16" W, 11" H, 5 15/16" D.



## B-5288 MatrixSeries SURFACE-MOUNTED MULTI-ROLL TOILET TISSUE DISPENSER



Durable ABS plastic; grey color. Two-roll dispensing mechanism for rolls up to 5 3/4" dia. (2000 sheets). Extra roll easily shifts into place when bottom roll is depleted. Concealed locking device. Unit 6 1/4" W, 13 1/2" H, 6 7/8" D.



## ⚡ B-2892 SURFACE-MOUNTED TWIN JUMBO-ROLL TOILET TISSUE DISPENSER



Satin-finish stainless steel. Equipped with tumbler lock. Spindles hold two 10" dia. rolls with 2 1/4" dia. core; convertible for 3" dia. core rolls. Sliding access panel exposes one roll at a time, allows easy roll change-over. Wide viewing slot in door. Quick reloading. Unit 20 13/16" W, 11 3/8" H, 5 5/16" D.



## B-272 SURFACE-MOUNTED TOILET TISSUE CABINET

Satin-finish stainless steel. Equipped with tumbler lock; vandal-resistant. Dispenses either single- or double-fold toilet tissue. Large capacity: 1330 singlefold tissues. Slots in cabinet indicate refill time. May be refilled with full standard pack before dispenser is empty. Unit 5" W, 8 15/16" H, 3" D.



## ⚡ B-2890 SINGLE JUMBO-ROLL SURFACE MOUNTED TOILET TISSUE DISPENSER



Satin-finish Type-304 stainless steel. Equipped with tumbler lock. Spindle holds one 10" dia. roll with 1 5/8" dia. core. Convertible for 2 1/4" and 1 5/8" dia. core rolls. Powder-coated mounting plate. Slot reveals tissue supply. Unit 10 5/8" W, 10 5/8" H, 4 1/2" D.

# Toilet Tissue Dispensers/Cubicle Collection



**B-667**



**B-697**



**B-699**

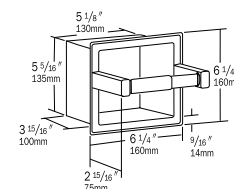
## 600 SERIES RECESSED TOILET TISSUE DISPENSER



Type-304 stainless steel with one-piece seamless construction. Choice of finish: bright-polished or satin. Chrome-plated plastic spindles hold rolls up to 5 1/8" dia. (1500 sheets). Choice of capacity: single-roll models measure 6 1/8" W, 6 1/8" H; double-roll models measure 12 5/16" W, 6 1/8" H. Mounting: clamps for securing to stud walls or countertop aprons.

Model No.	Capacity		Finish		Stainless Steel Hoods
	1 Roll	2 Rolls	Bright	Satin	
B-6637	✓			✓	
B-667	✓		✓		
B-6677	✓			✓	
B-6697	✓			✓	✓
B-6699	✓		✓		✓
B-66997	✓			✓	✓
B-697		✓	✓		
B-6977		✓		✓	
B-699		✓	✓		✓
B-6997		✓		✓	✓
B-6999		✓	✓		✓
B-69997		✓		✓	✓

\*Theft-Resistant Spindle (Part No. 283-604), option for all models.



## B-6637 RECESSED TOILET TISSUE DISPENSER WITH STORAGE SPACE FOR EXTRA ROLL



Satin-finished stainless steel. Plastic spindle holds rolls up to 5 1/8" dia. (1500 sheets).



## B-6699 SURFACE-MOUNTED TOILET TISSUE DISPENSER WITH HOOD FOR SINGLE ROLL



Bright-polished stainless steel. Hood protects paper. Chrome-plated plastic spindle holds rolls up to 5 1/8" dia. (1500 sheets). Unit 6 3/16" W, 6 3/16" H; hood projects 4 3/4" from wall with full roll in place.

**B-66997** Similar to B-6699, but with satin finish.

## B-6999 TOILET TISSUE DISPENSER WITH HOODS FOR TWO ROLLS

Bright-polished finish. Unit 12 3/8" W, 6 3/16" H; hoods project 4 3/4" from wall with full roll in place.

**B-69997** Similar to B-6999, but with satin finish.



## Cubicle Collection

This suite of products adds convenience and style to any restroom or toilet cubicle. Featuring contemporary styling, the models share common elements such as coordinated threaded escutcheons and post diameters.

### SATIN-FINISH MODELS:

**B-541** Spare Toilet Roll Holder.

**B-542** Coat Hook.

**B-543** Single Roll Toilet Tissue Dispenser.

**B-544** Toilet Brush Holder.

**B-545** Towel Bar.

### BRIGHT-POLISHED MODELS:

**NEW**

**B-5416** Spare Toilet Roll Holder.

**B-5426** Coat Hook.

**B-5436** Single Roll Toilet Tissue Dispenser.

**B-5446** Toilet Brush Holder.

**B-5456** Towel Bar.



# Toilet Tissue Dispensers



**B-685**

**B-685 SURFACE-MOUNTED TOILET TISSUE DISPENSER FOR SINGLE ROLL**

Bright-polished stainless steel. Support-arm flanges lock to concealed stainless steel wall plates. Chrome-plated plastic spindle holds rolls up to 5 1/2" dia. (1800 sheets). Unit 7 1/4" W, 2" H; projects 3 15/16" from wall.



**B-6857** Similar to B-685, but with satin finish.

**B-7685 SURFACE-MOUNTED TOILET TISSUE DISPENSER FOR SINGLE ROLL**

Bright-polished stainless steel. Unit 7 1/4" W, 2" H; projects 3 15/16" from wall.



**B-76857** Similar to B-7685, but with satin finish.



**B-686**

**B-686 SURFACE-MOUNTED TOILET TISSUE DISPENSER FOR TWO ROLLS**

Bright-polished stainless steel. Support-arm flanges lock to concealed stainless steel wall plates. Chrome-plated plastic spindles hold rolls up to 5 1/2" dia. (1800 sheets). Unit 12 1/2" W, 2" H; projects 3 15/16" from wall.



**B-6867** Similar to B-686, but with satin finish.

**B-7686 SURFACE-MOUNTED TOILET TISSUE DISPENSER FOR TWO ROLLS**

Bright-polished stainless steel. Unit 12 1/2" W, 2" H; projects 3 15/16" from wall.



**B-76867** Similar to B-7686, but with satin finish.

Theft Resistant Spindle (Part No. 283-604) available as an option for above models.



**B-2840 SURFACE-MOUNTED TOILET TISSUE DISPENSER WITH SHELF**

Satin-finish stainless steel. Shelf has 1/2" returns, hemmed front edge. Chrome-plated plastic spindles hold rolls up to 5 1/2" dia. (1800 sheets). Unit 16" W, 4" H, 5" D.



Theft-Resistant Spindle (Part No. 283-604) available as an option for above model.



**B-2740**



**B-2730**

**B-2740 SURFACE-MOUNTED TOILET TISSUE DISPENSER FOR TWO ROLLS**



Cast aluminum, satin finish. Plastic spindles, concealed locking device; theft-resistant. Holds two rolls up to 6" dia. (2000 sheets). Unit 12 1/2" wide, projects 4 7/8" from wall. No controlled delivery.

**B-274** Similar to B-2740, with controlled delivery.

**B-2730 SINGLE ROLL TOILET TISSUE DISPENSER**



Unit 6 1/2" wide. No controlled delivery.

**B-273** Similar to B-2730, with controlled delivery.



**B-27460 SURFACE-MOUNTED TOILET TISSUE DISPENSER FOR TWO ROLLS**



Vandal-resistant unit: heavy-duty cast aluminum, satin finish. Tumbler lock secures spindles in place. High-impact plastic spindles hold rolls up to 6" dia. (2000 sheets). Unit 14 1/8" wide, projects 5 1/4" from wall. No controlled delivery.



**B-264 SURFACE-MOUNTED VANDAL-RESISTANT TOILET TISSUE DISPENSER FOR SINGLE ROLL**

Bright-polished chrome-plated steel. Self-locking mechanism. Controlled delivery. Accommodates one standard-core toilet tissue roll up to 4 1/2" dia. Roll cannot be removed from dispenser until empty. Unit 6" W, 2 3/4" H; projects 4 1/4" from wall.



**B-265 ClassicSeries SURFACE-MOUNTED VANDAL-RESISTANT TOILET TISSUE DISPENSER FOR TWO ROLLS**

Bright-polished chrome-plated steel. Self-locking mechanism. Controlled delivery. Accommodates two standard-core toilet tissue rolls up to 4 1/2" dia. Rolls cannot be removed from dispenser until empty. Unit 12 1/4" W, 2 3/4" H; projects 4 1/4" from wall.

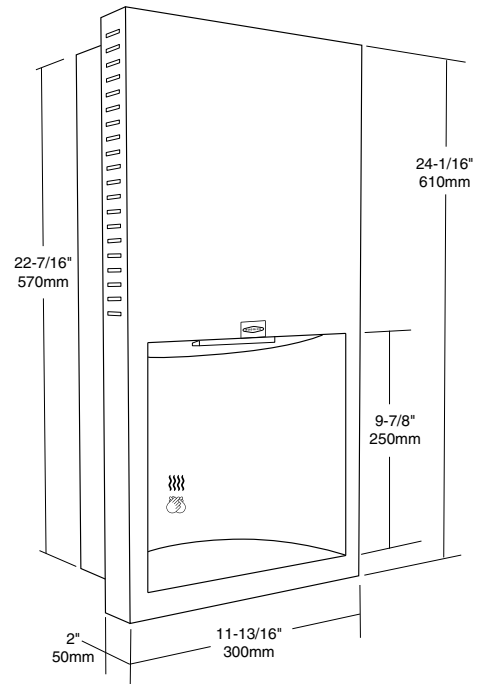
# Hand Dryers

**NEW**

Stylish cooling grid supports architectural design concept

Indicator lights:

- Solid green in use
- Solid red call for service



Spacious alcove design fully encloses patrons' hands and prevents water spill on the floor.

Splash-resistant surface material evaporates excess water. Surface replacement part 3725-23.



## B-3725 ADA RECESSED HAND DRYER



Type-304 satin-finish, stainless steel recessed hand dryer with a low profile contemporary design. Dryer delivers a 17-second dry time at a mere 70 dBA and sustainable 1000 Watts of power.

**115V AC**, 8.5 Amp, 50/60 Hz, 1000 Watts, Single Phase, cULus Listed, or **208-240V AC**, 4.0-4.4 Amp, 50/60 Hz, 1000 Watts, Single Phase, cULus Listed and CE marked.

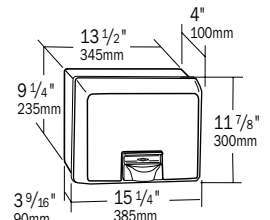
**NEW**



## B-7125 INSTADRY™ SURFACE-MOUNTED AUTOMATIC HAND DRYER



Contemporary design, ADA compliant satin-finish, stainless steel high-speed hand dryer. Delivers a less than 12-second dry time. Dryer is universal, **110V- 240V AC**, 0.88-1.76 Amp, 50/60 Hz, 200 Watts, Single Phase, cULus Listed and CE marked..



## B-750 AirCRAFT® ADA RECESSED HAND DRYER



Durable, cast-iron with white vitreous enamel finish, automatic sensor, **115V AC**, 20 Amp, 2300 Watts, 50/60 Hz, cULus Listed, or **208-240V AC**, 9 -10 Amp, 1900 -2400 Watts, 50/60 Hz, cULus Listed, VDE approved and CE marked.

# QuietDry™ Series Hand Dryers

Distributed by  
**www.PandaProducts.com**  
 Phone: (800) 608-6568  
 Fax: (409) 840-5545  
 info@pandaproducts.com

**NEW**



**⚡ B-7188 TerraDry™ ADA SURFACE-MOUNTED HAND DRYER**

Bright-polished chrome die-cast aluminum cover. 17 second dry time at a mere 70 dBA. Slim 100mm depth is compliant with accessibility standards. **115V AC**, 8.5 Amp, 50/60 Hz, 1000 Watts, Single Phase, cULus Listed. **208-240V AC**, 4.0-4.4 Amp, 50/60 Hz, 1000 Watts, Single Phase, cULus Listed and CE marked.

**⚡ B-7180** Similar to B-7188, but with white gloss cover.

**IMPROVED**



**⚡ B-778 DuraDry™ SURFACE-MOUNTED HAND DRYER**

Bright-polished, chrome-plated cast aluminum cover. High-velocity output delivers 15 second dry time at a mere 72dBA. **115V AC**, 12 Amp, 50/60 Hz, 1380 Watts, Single Phase, cULus Listed. **208-240V AC**, 5.5-6.3 Amp, 50/60 Hz, 1380 Watts, Single Phase, cULus Listed and CE marked.

**⚡ B-770** Similar to B-778 but with white epoxy cover.



**⚡ B-7128 TrimDry™ ADA SURFACE-MOUNTED HAND DRYER**



Durable, 22-gauge Type-304 satin-finish stainless steel cover with black plastic trim, automatic operation, dual air outlets, **115V AC**, 15 Amp, 1725 Watts, 50/60 Hz, cULus Listed, or **208-240V AC**, 6.8-7.8 Amp, 1400-1900 Watts, 50/60 Hz, cULus Listed, VDE approved, and CE marked.

**⚡ B-7120** Similar to B-7128, but with epoxy white cover.

## Sound Level Comparison of Bobrick's QuietDry Series with Brand X and D.

Brand	Bobrick	Brand X	Brand D
Measured Decibels (dBA)*	72 dBA 	83 dBA 	85 dBA 

\*TEST METHODOLOGY: Noise levels declared for all products are measured in a semi-reverberant laboratory setting with dryer mounted at the manufacturer's recommended height. Visit bobrick.com for additional test results.

**NOTES:**

- When ordering, specify voltage by adding 115V or 230V following model number, example: B-7188 115V.
- Bobrick automatic hand dryers should be installed 15" above any projection or horizontal surface which may interfere with the operation of the automatic sensor.

**WARRANTIES:**

Bobrick hand dryers are warranted to be free from defects in workmanship and material under normal usage from the date of purchase. Motor brushes for 3 years; all other dryer parts for 10 years. Apart from B-3725, 5 years. (Ceramic water absorbent surface 1 year) and B-7125, 5 years.



# Mirrors



## B-290 SERIES WELDED-FRAME MIRRORS

One-piece, roll-formed  $\frac{3}{4}$ " x  $\frac{3}{4}$ " angle-frame. Type-304 stainless steel angle with satin finish. Corners heliarc welded, ground and polished smooth. Beveled frame edge at mirror. No.1 quality,  $\frac{1}{4}$ " glass mirror; warranted against silver spoilage for 15 years. Galvanized steel back. Secured to concealed wall hanger with theft-resistant mounting.

MODEL NO.	W	H	MODEL NO.	W	H
<b>fB-290 1830</b>	18"	30"	<b>B-290 2448</b>	24"	48"
<b>fB-290 1836</b>	18"	36"	<b>B-290 2460</b>	24"	60"
<b>B-290 2430</b>	24"	30"	<b>B-290 2472</b>	24"	72"
<b>fB-290 2436</b>	24"	36"			



## B-165 SERIES CHANNEL-FRAME MIRRORS

One-piece,  $\frac{1}{2}$ " x  $\frac{1}{2}$ " x  $\frac{3}{8}$ " channel-frame. Type 430 stainless steel with bright-polished finish. Mitered corners. No.1 quality,  $\frac{1}{4}$ " glass mirror; warranted against silver spoilage for 15 years. Galvanized steel back. Secured to concealed wall hanger with theft-resistant mounting.

MODEL NO.	W	H	MODEL NO.	W	H
<b>fB-165 1824</b>	18"	24"	<b>fB-165 2436</b>	24"	36"
<b>fB-165 1830</b>	18"	30"	<b>B-165 2448</b>	24"	48"
<b>fB-165 1836</b>	18"	36"	<b>B-165 2460</b>	24"	60"
<b>fB-165 2430</b>	24"	30"	<b>B-165 4836</b>	48"	36"

## B-292 SERIES WELDED-FRAME MIRROR/SHELF COMBINATION

Same mirror as B-290 Series. Type-304 satin-finish stainless steel shelf. Shelf projects an additional 5" from the mirror, with a  $\frac{3}{4}$ " return on front and sides; front return edge hemmed for rigidity and safety. Shelf corners heliarc welded, ground and polished smooth.

MODEL NO.	W	H
<b>B-292 1836</b>	18"	36"

## B-166 SERIES CHANNEL-FRAME MIRROR/SHELF COMBINATION

Same mirror as B-165 Series. Type-304 satin-finish stainless steel shelf. Shelf projects 4" with  $\frac{3}{8}$ " return on front and sides; front return edge hemmed for rigidity and safety.

MODEL NO.	W	H	MODEL NO.	W	H
<b>B-166 1824</b>	18"	24"	<b>B-166 1836</b>	18"	36"
<b>B-166 1830</b>	18"	30"	<b>B-166 2436</b>	24"	36"

## Special-order custom size mirrors:

B-290 Maximum size of one-piece mirror: 144" x 72" or 72" x 144". Maximum frame size available: 180" x 72" or 72" x 180" with two pieces of glass. To specify special sizes, use Series Number followed by width and height.

B-292 Maximum frame size available: 96" x 72" or 72" x 96" with one piece of glass. Maximum size of shelf: 96" furnished as one piece. To specify special sizes, use Series Number followed by width and height.

B-165 Maximum size mirror: 96" x 72" or 72" x 96". To specify special sizes, use Series Number followed by width and height.

B-166 Maximum size mirror: 60" x 48" or 48" x 60". Maximum shelf length: 60". To specify special sizes, use Series Number followed by width and height.



# Mirrors

## Standard size tempered glass mirrors:



### B-2908 SERIES

### B-1658 SERIES

Tempered glass mirrors resist breakage and provide a measure of safety from broken glass, but differ in color and reflective quality from standard glass mirrors. Bobrick uses the highest quality tempered glass mirrors. Modest distortion or heat-generated markings are normal in the tempered glass mirror manufacturing process. Therefore, Bobrick will not accept returns of tempered glass mirrors with random distortion or markings.

#### B-2908 SERIES STANDARD SIZE TEMPERED GLASS WELDED-FRAME MIRRORS

- Same frame as B-290 Series
- 1/4" tempered glass mirror

MODEL NO.	W	H
<b>B-2908 1830</b>	18"	30"
<b>B-2908 1836</b>	18"	36"
<b>B-2908 2436</b>	24"	36"

#### B-1658 SERIES STANDARD SIZE TEMPERED GLASS CHANNEL-FRAME MIRRORS

- Same frame as B-165 Series
- 1/4" tempered glass mirror

MODEL NO.	W	H
<b>B-1658 1830</b>	18"	30"
<b>B-1658 2436</b>	24"	36"



### B-1556 SERIES FRAMELESS MIRRORS

Bright-polished #8 finish, Type-304 stainless steel. Mirror has 1/4" return concealing 1/4" tempered masonite backing. Furnished with four mounting screws.

MODEL NO.	W	H	MODEL NO.	W	H
<b>B-1556 1824</b>	17 1/2"	23 1/2"	<b>B-1556 2436</b>	23 1/2"	35 1/2"
<b>B-1556 1830</b>	17 1/2"	29 1/2"			



### B-942 FRAMELESS MIRROR (FRONT SECURED)

Mirror is 11 1/4" x 17 1/4" overall, 1/4" deep. 18-gauge, Type 430 stainless steel with bright-polished finish.



## IMPROVED



**B-293**

### B-293 SERIES FIXED-POSITION TILT MIRRORS

Provides visibility for wheelchair users. Frame is Type-304 satin-finish stainless steel. Beveled edges of frame hug mirror providing gapless fit. No. 1 quality, 1/4" glass mirror; warranted against silver spoilage for 15 years. Mirror projects 4" from wall at top and tapers to 1" at bottom.



MODEL NO.	W	H	MODEL NO.	W	H
<b>B-293 1830</b>	18"	30"	<b>B-293 2436</b>	24"	36"
<b>B-293 1836</b>	18"	36"			

### B-294 SERIES ANGLE-FRAME TWO-POSITION TILT MIRROR

Tilt forward to provide full visibility for wheelchair users or return to upright position. Frame is 3/4" x 3/4", Type-304 satin-finish stainless steel angle. Beveled edges of frame hug mirror; provides gapless fit. No.1 quality, 1/4" glass mirror; warranted against silver spoilage for 15 years. Top of mirror tilts 7" from wall with self-locking mechanisms; bottom of mirror mounts to wall with full-length stainless steel hinge.

MODEL NO.	W	H
<b>B-294 1830</b>	18"	30"

## Special-order custom size mirrors:

B-293 Maximum size mirror: 48" x 36" or 40" x 40"

B-294 Maximum size mirror: 24" x 36" or 36" x 24"

## Special-order reflective surfaces:

Polished stainless steel, tempered and laminated glass mirrors resist breakage and provide a measure of safety from broken glass, but differ in color and reflective quality from standard glass mirrors. Modest distortion is normal and not a returnable condition. Available on special order.

### POLISHED STAINLESS STEEL

B-1656 Series Mirrors (up to 60" x 36" or 36" x 60")

B-2906 Series Mirrors (up to 60" x 36" or 36" x 60")

### TEMPERED GLASS

B-1658 Series Mirrors (up to 96" x 48" or 48" x 96")

B-2908 Series Mirrors (up to 115" x 48" or 48" x 115")

### LAMINATED GLASS

B-1659 Series Mirrors (up to 84" x 48" or 48" x 84")

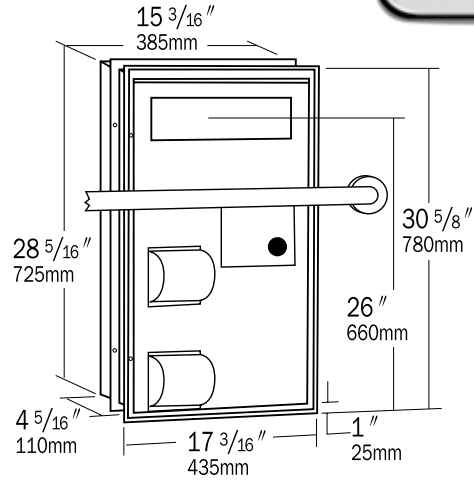
B-2909 Series Mirrors (up to 84" x 48" or 48" x 84")

## NOTE:

To specify mirrors, use Series Number desired followed by width and height in inches. Width dimension must be stated first following Series Number. Framed mirrors are manufactured to overall dimensions, as shown in all mirror tables on pages 24 and 25. Overall height of mirror/shelf models includes shelf. Framed mirrors must be installed with width and height dimensions as ordered. Mirror back and wall hanger cannot be installed side ways to reverse width and height dimensions. Provide minimum 3/4" clearance at top of mirror for mounting on wall hanger and 1" clearance on each side.

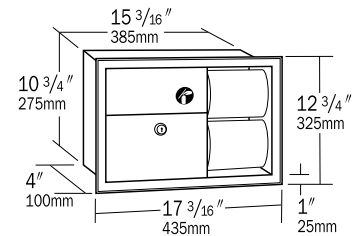
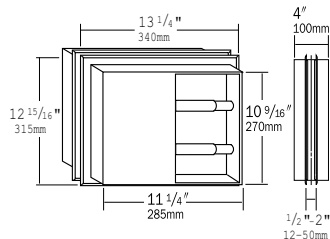
# Toilet Compartment Accessories

Distributed by  
**www.PandaProducts.com**  
 Phone: (800) 608-6568  
 Fax: (409) 840-5545  
 info@pandaproducts.com



Dimensions typical for all partition-mounted models with toilet-seat-cover dispensers.

Cut-outs in partitions for accessories can be pre-cut at factory if location and size of cutouts are specified and orders for both partitions and accessories are received together.



## B-386 PARTITION-MOUNTED MULTI-ROLL TOILET TISSUE DISPENSER (SERVES 2 COMPARTMENTS)



Satin-finish stainless steel. Mounts centered through toilet partitions, 1/2" - 2" thick; used from both sides. Holds four standard core toilet tissue rolls up to 5 1/4" dia.; two for each side. Chrome-plated plastic spindles with heavy-duty internal springs.

Theft-Resistant Spindle (Part No. 283-604) available as an option for above model.

## B-3094 ClassicSeries RECESSED SANITARY NAPKIN DISPOSAL AND TOILET TISSUE DISPENSER

Satin-finish stainless steel. Disposal door is self-closing. Receptacle retained in cabinet by tumbler lock. Capacity: 3/4-gal. Holds two rolls up to 5 1/4" diameter (1800 sheets).

Theft-Resistant Spindle (Part No. 283-604) available as an option for above model.

### NOTES:

1. Partition-mounted models B-347, B-3471, B-34715, B-357, B-3571, B-35715 mount through partitions 1/2" to 2" thick, serving two compartments.
2. Toilet tissue dispensers hold 5 1/4" dia., 1800-sheet rolls.
3. Flanges are one-piece seamless construction, doors secured with full-length stainless steel hinges, and tumbler locks are keyed like other Bobrick washroom accessories.
4. Constructed of Type-304 stainless steel throughout with satin finish on all exposed surfaces; welded construction.
5. Theft-resistant spindles included.
6. When combination units are mounted in an Accessible Toilet Compartment partition, the unit's location in the adjoining toilet compartment must permit the unit's complete operation, allowing the unit's door to swing clear of the toilet when custodians service the unit.

Cabinet Placement in Toilet Compartments.		
Model No.	Mounting Side of Unit When Seated	Side of Toilet Tissue Dispenser When Facing Unit
B-357 B-347 B-3579 B-3479	Right or Left	Right or Left
B-3571	Right	Left
B-35715	Left	Right
B-3471	Right	Left
B-34715	Left	Right
B-3574	Left	Right
B-35745	Right	Left
B-3474	Left	Right
B-34745	Right	Left

# Toilet Compartment Accessories



**B-347 Two-Sided, multi-function model serves adjacent compartments, mounted through the center panel.**



**B-3574 Single, multi-function model serves one compartment, mounted on a corner wall.**

⚡ **B-3471 ClassicSeries PARTITION MOUNTED SEAT-COVER AND TOILET TISSUE DISPENSER**  
One side mounts flush against partition of Accessible Toilet Compartment to allow clearance for grab bar. Unit mounts on right side of toilet (when seated) with tissue dispensers on left side. **Used from both sides**, serviced from one side. Holds 250 toilet seat covers and two rolls of tissue for each compartment. Theft-resistant spindles.

**B-34715** Similar to B-3471. Unit mounts on left side of toilet (when seated) with tissue dispensers on the right side.

⚡ **B-347** Similar to B-3471, but mounts centered through toilet partition. Used from both sides, serviced from one side.

⚡ **B-3474** Similar to B-3471, but for **recessed installation in side wall of single compartment**. Unit mounts on left side of toilet (when seated) with tissue dispensers on right side. Holds 250 toilet seat covers and two rolls of tissue.

**B-34745** Similar to B-3474. Unit mounts on right side of toilet (when seated) with tissue dispensers on the left side.

**B-3479** Similar to B-3474, but with stainless steel skirt for surface mounting.



⚡ **B-357 ClassicSeries PARTITION-MOUNTED SEAT-COVER DISPENSER, SANITARY NAPKIN DISPOSAL AND TOILET TISSUE DISPENSER**  
Mounts centered through toilet partition. **Used from both sides**, serviced from one side. Capacity: 0.8-gal. Holds 250 toilet seat covers and two rolls of tissue for each compartment. Theft-resistant spindles.

⚡ **B-3571** Similar to B-357, but one side mounts flush against partition of Accessible Toilet Compartment to allow clearance for grab bar. Unit mounts on right side of toilet (when seated) with tissue dispensers on left side.

**B-35715** Similar to B-3571. Unit mounts on left side of toilet (when seated) with tissue dispensers on right side.

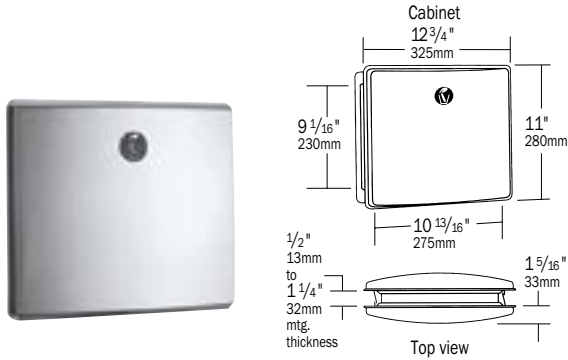
⚡ **B-3574** Similar to B-3571, but for **recessed installation in side wall of single compartment**. Unit mounts on left side of toilet (when seated) with tissue dispensers on right side. Holds 250 toilet seat covers and two rolls of tissue.

**B-35745** Similar to B-3574. Unit mounts on right side of toilet (when seated) with tissue dispensers on the left side.

**B-3579** Similar to B-3574, but with stainless steel skirt for surface mounting.



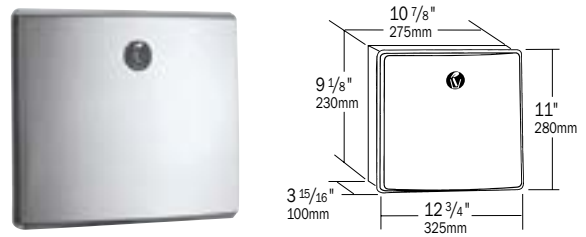
# Sanitary Napkin Disposals



## B-4354 ConturaSeries PARTITION-MOUNTED SANITARY NAPKIN DISPOSAL



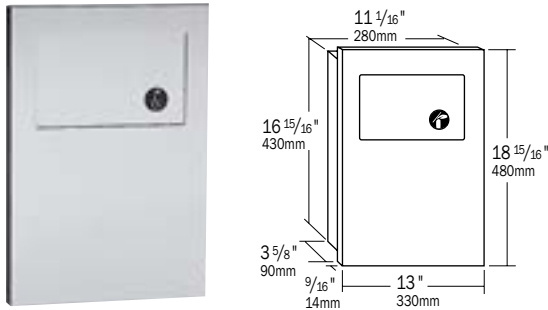
Satin-finish stainless steel. Mounts in toilet partition  $\frac{1}{2}$  -  $1\frac{1}{4}$ " thick. Self-closing doors pull down with less than 5 lbs of force for access to disposal. Removable, leak-proof, 0.7-gal. plastic receptacle.



## B-4353 ConturaSeries RECESSED SANITARY NAPKIN DISPOSAL



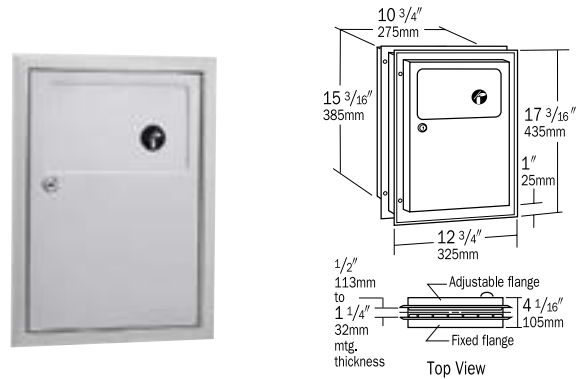
Satin-finish stainless steel. Self-closing door pulls down for access to disposal. Furnished with removable, leak-proof, 1.2-gal. plastic receptacle.



## B-35303 TrimLineSeries RECESSED SANITARY NAPKIN DISPOSAL



Satin-finish stainless steel. Door has 90° return, conceals flange. Self-closing panel covers disposal opening. Removable, leak-proof, 1.2-gal. plastic receptacle.



## B-354 ClassicSeries PARTITION-MOUNTED SANITARY NAPKIN DISPOSAL



Satin-finish stainless steel. Mounts in partitions  $\frac{1}{2}$  -  $1\frac{1}{4}$ " thick. Self-closing panels cover openings. Removable, leakproof, 1.2-gal. plastic receptacle.

⚡ **B-353** Similar to B-354, but recessed. Multi-function model serves one compartment, mounted on a corner wall.



## ⚡ B-270 ConturaSeries SURFACE-MOUNTED SANITARY NAPKIN DISPOSAL



Satin-finish stainless steel. Cover is drawn, one-piece construction; secured to cabinet with full-length stainless steel piano-hinge. Capacity: 1-gal. Unit 7  $\frac{1}{2}$ " W, 10" H, 3  $\frac{13}{16}$ " D.



## ⚡ B-254 ClassicSeries SURFACE-MOUNTED SANITARY NAPKIN DISPOSAL



Satin-finish stainless steel. Door has tumbler lock. Self-closing panel covers disposal opening. Removable, leak-proof, 1.2-gal. (4.6-L) plastic receptacle. Unit 10  $\frac{11}{16}$ " W, 15  $\frac{1}{8}$ " H, 4  $\frac{1}{16}$ " D (270 x 385 x 105mm).



## B-5270 MatrixSeries SURFACE-MOUNTED SANITARY NAPKIN DISPOSAL



Durable ABS plastic; grey color. Lid features fingertip handles for easy access. Capacity: 1.3-gal. Unit 9  $\frac{1}{4}$ " W, 11  $\frac{3}{8}$ " H, 3  $\frac{7}{8}$ " D.

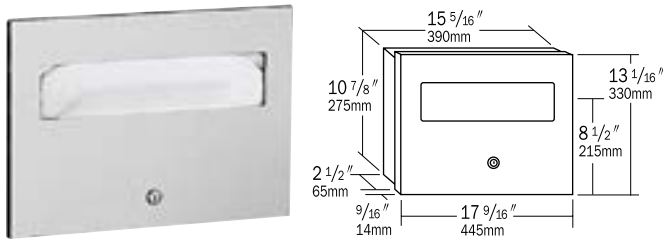
# Toilet Seat Cover Dispensers

Distributed by  
[www.PandaProducts.com](http://www.PandaProducts.com)  
 Phone: (800) 608-6568  
 Fax: (409) 840-5545  
[info@pandaproducts.com](mailto:info@pandaproducts.com)



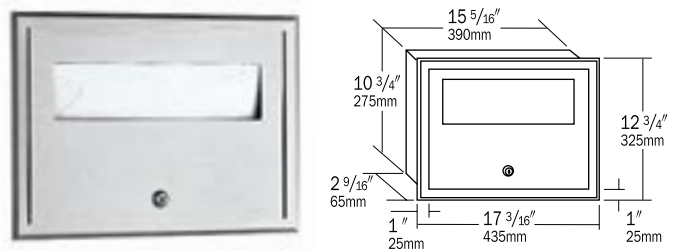
## ⚡ B-4221 **ConturaSeries** SURFACE-MOUNTED SEAT-COVER DISPENSER

Satin-finish stainless steel. Dispenses 250 single- or half-fold toilet seat covers. Allow 5" minimum clearance from bottom of dispenser to top of any horizontal projection for filling dispenser from bottom of unit. Unit 15 3/4" W, 11 1/4" H, 2 1/16" D.



## ⚡ B-3013 **TrimLineSeries** RECESSED SEAT-COVER DISPENSER

Satin-finish stainless steel. Door has 90° return, conceals flange. Dispenses 500 toilet seat covers. Tumbler lock for theft resistance.



## ⚡ B-301 **ClassicSeries** RECESSED SEAT-COVER DISPENSER

Satin-finish stainless steel. Seamless beveled flange. Dispenses 500 toilet seat covers. Tumbler lock for theft resistance.



## ⚡ B-5221 **MatrixSeries** SURFACE-MOUNTED SEAT-COVER DISPENSER

Durable ABS plastic; grey color. Dispenses 500 single- or half-fold toilet seat covers. Allow 5" minimum clearance from bottom of dispenser to top of any horizontal projection for filling dispenser from bottom of unit. Unit 16 3/8" W, 11 1/2" H, 2 1/2" D.

## ⚡ B-221 **ClassicSeries** SURFACE-MOUNTED SEAT-COVER DISPENSER

Satin-finish stainless steel. Dispenses 250 single- or half-fold toilet seat covers. Allow 5" minimum clearance from bottom of dispenser to top of any horizontal projection for filling dispenser from bottom of unit. Unit 15 3/4" W, 11" H, 2" D.

# Grab Bars



SERIES	DIAMETER	FINISH
<b>B-6806</b>	1 1/2"	Satin Finish
<b>B-5806</b>	1 1/4"	Satin Finish

## Concealed Mounting with Snap Flange:

- Constructed of 18-gauge, Type-304 satin-finish stainless steel tubing in 1 1/4" and 1 1/2" diameter.
- Concealed mounting flange 1/8" thick, Type-304 stainless steel plate, 2" W, 3 1/8" H, with screw holes for concealed anchors.
- Cover is 22-gauge, Type-304 stainless steel with satin finish, 3 1/4" diameter.
- Cover snaps over mounting flange to conceal screws.
- Peened nonslip gripping surface available. Add suffix .99 to model number.

## IMPROVED

### Snap Flange:

- New 6-Hole Flange
- Improves Installation Flexibility



### SAFETY WARNING:

Grab bars are no stronger than the anchors and walls to which they are attached and, therefore, must be firmly secured in order to support the loads for which they are intended. To avoid potential injury, the building owner or maintenance personal should remove the grab bar from service if the grab bar is not adequately secured to wall or if there is any observed damage to welds.

## Configurations, Dimensions, Finishes:



**1 1/2" DIA.  
STRAIGHT/SATIN**

- B-6806x12"**
- ⚡ **B-6806x18"**
- ⚡ **B-6806x24"**
- ⚡ **B-6806x30"**
- ⚡ **B-6806x36"**
- ⚡ **B-6806x42"**
- ⚡ **B-6806x48"**



**1 1/4" DIA.  
STRAIGHT/SATIN**

- ⚡ **B-5806x18"**
- ⚡ **B-5806x24"**
- ⚡ **B-5806x30"**
- ⚡ **B-5806x36"**
- ⚡ **B-5806x42"**
- ⚡ **B-5806x48"**

**1 1/2" DIA.  
STRAIGHT/PEENED**

- B-6806.99x12"**
- ⚡ **B-6806.99x18"**
- ⚡ **B-6806.99x24"**
- ⚡ **B-6806.99x30"**
- ⚡ **B-6806.99x36"**
- ⚡ **B-6806.99x42"**
- B-6806.99x48"**

**1 1/4" DIA.  
STRAIGHT/PEENED**

- ⚡ **B-5806.99x18"**
- ⚡ **B-5806.99x24"**
- ⚡ **B-5806.99x30"**
- ⚡ **B-5806.99x36"**
- ⚡ **B-5806.99x42"**
- B-5806.99x48"**

## NEW



**90°**

30" x 30" L  
1 1/4" Dia.

**B-5898** Satin

**B-5898.99** Peened

**90°**

30" x 30" L  
1 1/2" Dia.

**B-6898.99** Peened

## Optional Mounting Kits:

Order one per flange. Part No. **252-30** sheet-metal screws.

## Optional Anchor Devices:

Order one per flange. Part No. **2583** anchors for 3/4" to 1" panels; **2586** anchors for 1/2" panels.



## 251-4 WingIt™ GRAB BAR FASTENER

For 2 1/2" and 3 1/2" or deeper hollow walls with finished wall surfaces 1/4" to 1 1/2" thick. One fastener required for each flange. Corrosion-resistant stainless steel. Install grab bars without backing. The fastener will support 300 lbs load.



WingIt™ is a trademark of WingIt Innovations, LLC.



**TWO-WALL TUB/SHOWER COMPARTMENT**

24" W x 36" D

1 1/2" Dia.

**B-68616** Satin

**B-68616.99** Peened

1 1/4" Dia.

**B-58616** Satin

**B-58616.99** Peened



**TWO-WALL TUB/SHOWER COMPARTMENT**

36" W x 54" D

1 1/2" Dia.

**B-68137** Satin

**B-68137.99** Peened

1 1/4" Dia.

**B-5837** Satin

**B-5837.99** Peened



**TWO-WALL SHOWER**

15 7/8" W x 30 7/8" D

1 1/2" Dia.

**B-6861** Satin

**B-6861.99** Peened



**TWO-WALL TOILET COMPARTMENT**

42" W x 54" D

1 1/2" Dia.

**B-6897** Satin

**B-6897.99** Peened

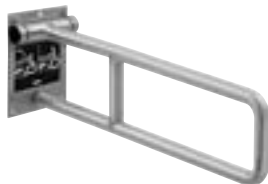
1 1/4" Dia.

**B-5897** Satin

**B-5897.99** Peened

**Swing Up:**

- Once bar is raised to vertical position, design prevents bar from falling back down.
- Bar can support loads in excess of 500 lbs when properly installed.



**SWING-UP**

29" L

1 1/4" Dia.

**B-4998** Satin

**B-4998.99** Peened

**NEW**

**Vinyl-Coated Antimicrobial:**

Architects and designers acknowledge that healthcare projects are among the most complex. Accommodating patron and staff requirements vary from one environment to another. Bobrick answers these needs with a collection of new and specialized products in concert with a comprehensive line of accessories.

- Constructed of 1" zinc-plated with 1/8" vinyl coating.
- Concealed mounting flange is polyamide 6 fiberglass reinforced nylon with glossy finish, screw holes for concealed anchors.
- Snap Flange Cover: Polyamide 6 fiberglass reinforced nylon with glossy finish, 1/8" thickness and 3 1/4" diameter.
- Cover snaps over mounting flange to conceal screws.
- Antimicrobial vinyl coating.
- Slip-resistant.
- Warm-to-the touch.



**STRAIGHT/ANTIMICROBIAL VINYL COATING**

1 1/4" Dia.

**B-580616x18**~

**B-580616x24**~

**B-580616x36**~

**B-580616x42**~



**SWING-UP ANTIMICROBIAL VINYL COATING**

27 9/16" L

1 1/4" Dia.

**B-49916**



**B-4390 RECESSED HEAVY-DUTY SOAP DISH AND BAR**



Type-304 stainless steel, matte polished finish. Mounting clamp for stud walls. Unit 7 <sup>3</sup>/<sub>16</sub>" W, 5" H.

**B-4380** Similar to B-4390, but without bar.



**B-8397 SURFACE-MOUNTED TISSUE DISPENSER**

Dispenses one pack of 100 two-ply facial tissues. Cabinet Type-304 stainless steel, satin finish. Equipped with concealed locking device; opens with key provided. Concealed wall plate is 22-gauge, Type 304 stainless steel. Unit 10 <sup>1</sup>/<sub>4</sub>" W, 5 <sup>3</sup>/<sub>16</sub>" H, 2 <sup>1</sup>/<sub>4</sub>" D.



**B-687 SURFACE-MOUNTED DOOR BUMPER**

Bright-polished stainless steel. Flange is 2" x 2". Black nylon post with black neoprene bumper. Projects 2 <sup>1</sup>/<sub>8</sub>" from wall.



**B-673 SURFACE-MOUNTED TOWEL BAR**

Bright-polished stainless steel. <sup>3</sup>/<sub>4</sub>" square towel bar. Available in 18" and 24" lengths. Projects 3 <sup>1</sup>/<sub>4</sub>" from wall.

**B-6737** Similar to B-673, but with satin finish. 24" length.



**B-683 SURFACE-MOUNTED TOILETRY SHELF**

Bright-polished stainless steel. 24" length. Shelf 4 <sup>3</sup>/<sub>4</sub>" wide, projects 5 <sup>3</sup>/<sub>4</sub>" from wall. Edges are roll-formed for safety.



**B-674 SURFACE-MOUNTED TOWEL BAR**

Bright-polished stainless steel. Round <sup>3</sup>/<sub>4</sub>" dia. towel bar. Available in 18" and 24" lengths. Projects 3 <sup>1</sup>/<sub>4</sub>" from wall.

**B-6747** Similar to B-674, but with satin finish. 24" length.



**B-676 SURFACE-MOUNTED TOWEL SHELF/ TOWEL BAR**

Bright-polished stainless steel. Shelf 6 <sup>1</sup>/<sub>4</sub>" wide, four <sup>5</sup>/<sub>16</sub>" square tubes. <sup>5</sup>/<sub>16</sub>" square towel bar below shelf. 24" length. Projects 8 <sup>1</sup>/<sub>2</sub>" from wall.



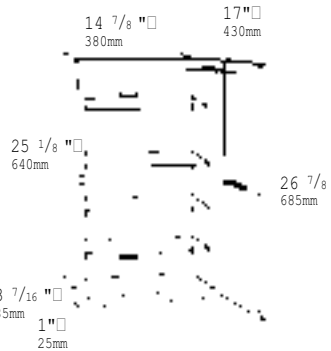
**B-530 EXTRA-HEAVY-DUTY SURFACE-MOUNTED TOWEL BAR**



Satin-finish stainless steel, 18-gauge, 1" dia. bar with snap-flange mounting. Withstands 900 lbs downward pull when properly installed. Available in 18" and 24" lengths.



## Bathroom Accessories



### B-398

Unit combines adjustable shelves, mirror, used razor blade slot, and toothbrush holder.

### B-398 RECESSED MEDICINE CABINET

Type-304 stainless steel, satin finish. Mirror: No. 1 quality,  $\frac{1}{4}$ " glass electrolytically copper-plated. 15-year guarantee against silver spoilage. Door has full-length stainless steel piano-hinge, magnetic catch and cable doorstop. Four adjustable stainless steel shelves. Cabinet may be inverted for right- or left-hand door swing.



### B-299

Similar to B-398, but surface-mounted. Unit 17" W, 26  $\frac{7}{8}$ " H, 5" D.

### B-397 RECESSED MEDICINE CABINET

All-steel cabinet with baked white enamel finish. Three adjustable plastic shelves. Mirror: No. 1 quality,  $\frac{1}{4}$ " glass electrolytically copper-plated. Door has enameled steel piano-hinge and magnetic catch. Door is 15  $\frac{1}{2}$ " W, 25  $\frac{7}{8}$ " H.



### B-297 SURFACE-MOUNTED MEDICINE CABINET

All-steel cabinet and two fixed shelves with baked white enamel finish. Mirror: No. 1 quality,  $\frac{1}{8}$ " glass electrolytically copper-plated. Door has enameled steel piano-hinge and magnetic catch. Door is 14  $\frac{1}{8}$ " W, 20  $\frac{1}{4}$ " H. Unit 3  $\frac{3}{4}$ " deep.



## Shower/Tub Accessories

NEW



### B-4207 CURVED SHOWER ROD

1" diameter rod is 20-gauge stainless steel, satin finish. Swivel Brackets are chrome-plated zinc die cast construction with exposed surfaces in architectural satin finish. Maximum 55° swivel rotation. Available in 60" or 72" lengths.



### B-207 SHOWER CURTAIN ROD WITH CONCEALED MOUNTING

1" dia. rod is 20-gauge, Type-304 stainless steel, satin finish. 1  $\frac{3}{8}$ " dia. flanges are chrome-plated plastic, bright-polished finish; mount on concealed wall brackets. Available in 36", 48", 60", 72" lengths.



### B-6047 EXTRA HEAVY-DUTY SHOWER CURTAIN ROD

Type-304 stainless steel, satin finish. 18-gauge, 1  $\frac{1}{4}$ " dia. rod. Flanges are 2  $\frac{1}{2}$ " square. Available in 36", 48", 60", 72" lengths.

### B-6107 HEAVY-DUTY SHOWER CURTAIN ROD

Similar to B-6047, but with 20-gauge, 1" dia. rod. Available in 36", 48", 60", 72" lengths.

2  $\frac{1}{2}$ " Square Flange for B-6047 and B-6107



### 204-2 VINYL SHOWER CURTAIN

Opaque, matte white vinyl, 0.008" thick, contains anti-bacterial and flame-retardant agents. Nickel-plated brass grommets along top, one every 6". Bottom and sides are hemmed. Curtain 42" W, 72" H. Requires 7 hooks (not included).



### 204-3

Similar to 204-2, but curtain is 70" W, 72" H. Requires 12 hooks (not included).



### 204-1 SHOWER CURTAIN HOOK

Type-304 stainless steel for use on 1" and 1  $\frac{1}{4}$ " dia. shower curtain rods.



BOBRICK

Distributed by  
www.PandaProducts.com  
Phone: (800) 608-6568  
Fax: (409) 840-5545  
info@pandaproducts.com

# Shower/Tub Accessories

NEW



## B-518116 FOLDING BATHTUB SEAT

Folding seat with Vinyl slats, constructed of zinc-plated steel pipe coated with vinyl antimicrobial, warm-to-the touch vinyl. Seating rests on end of bathtub.

MODEL NO.	LENGTH	WIDTH
B-518116 X 28	28"	15"
B-518116 X 32	32"	15"



## B-518 FOLDING SHOWER SEAT

Complies with ADA Accessible Design Guidelines. Foam-padded, white, water-resistant Naugahyde seat 1 1/2" thick, with enclosed 1/2" plywood base. Seat 32 7/8" W, projects 22 1/4" from wall. Left-hand seat shown. When properly installed supports up to **Maximum static load of 360 lbs.** Total weight on seat must not exceed 360 lbs.



**B-517** Similar to B-518, with right-hand seat.



## B-5191 FOLDING SHOWER/DRESSING AREA SEAT



Complies with ADA Accessible Design Guidelines. Compact design. Seat is constructed of durable, water-resistant, ivory-colored, 5/16" thick solid phenolic. Frame and mounting bracket are Type-304 stainless steel and feature self-locking mechanism. Seat 18" W, projects 15 13/16" from wall. When properly installed supports up to **Maximum static load of 500 lbs.** Total weight on seat must not exceed 500 lbs.

**NEW B-5192** Similar to B-5191, with 22.5" W seat.

**NEW B-5193** Similar to B-5191, with 25.5" W seat.



Folded Down



Folded Up

## B-5181 REVERSIBLE FOLDING SHOWER SEAT



ADA-compliant reversible wall-mounted solid phenolic seat. When properly installed supports up to **Maximum static load of 360 lbs.** Total weight on seat must not exceed 360 lbs. Seat available in other colors on special order. See Bobrick Compact Laminate Color Guide. Seat 33" W, projects 22 5/16" from wall. Left-hand seat shown.

NEW



## B-918116L OR B-918116R BARIATRIC FOLDING SHOWER SEAT WITH LEGS

ADA-compliant wall-mounted solid phenolic, foot-supported. When properly installed supports up to **Maximum static load of 1102 lbs.** Total weight on seat must not exceed 1102 lbs. Seat 31 1/2" W, projects 22 5/8" from wall. Frame and swing-down legs are 1 3/4" zinc-plated vinyl-coated tubing.



### CAUTION NOTE:

These seats are no stronger than the anchors and walls to which they are attached and therefore must be firmly secured in order to support the loads for which they are intended. Consult and comply with local building codes.

When properly installed and maintained, these seats have sufficient strength to support a single user to maximum static load specified. In the interests of safety and the protection of the end users, the seats should not be used to support weights exceeding the specified weight limits. Failure to abide by this warning may result in seats malfunctioning, potentially causing minor to moderate injury.

Bobrick folding shower seats are not spring-loaded. The seats do not return automatically to the upright position after use.

# Hooks/Shelves/Custodial Accessories



⚡ **B-670 UTILITY HOOK**

Bright-polished stainless steel. For robes, shoe-shine cloth, and sanitary napkin disposal bag. Flange is 2" x 2". Hook ½" wide, projects 2" from wall.



⚡ **B-6707** Similar to B-670, but with satin finish.



**B-677 TOWEL PIN**

Bright-polished stainless steel. Flange is 2" x 2". Projects 3 ⅜" from wall.



**B-6777** Similar to B-677, but with satin finish.



⚡ **B-671 SINGLE ROBE HOOK**

Bright-polished stainless steel. Flange is 2" x 2". Hook is 1 ¼" H, 1 ¼" W. Projects 2" from wall.



⚡ **B-6717** Similar to B-671, but with satin finish.

**B-7671 SINGLE ROBE HOOK** Similar to B-671, but hook is 1 ⅝" H, 1 ⅜" W. Projects 1 ⅝" from wall.



**B-76717** Similar to B-7671, but with satin finish.



⚡ **B-212 CLOTHES HOOK AND BUMPER**

Solid aluminum casting, matte finish. Rubber bumper protects wall or partition surfaces. Projects 3 ¾" from wall.



⚡ **B-672 DOUBLE ROBE HOOK**

Bright-polished stainless steel. Contoured 4" wide bar forms hook at each end. Flange is 2" x 2". Projects 2 ⅝" from wall.



⚡ **B-6727** Similar to B-672, but with satin finish.

**B-7672 DOUBLE ROBE HOOK** Similar to B-672, but contoured hook is 3 ⅝" wide. Projects 1 ⅞" from wall.



**B-76727** Similar to B-7672, but with satin finish.



⚡ **B-233 CLOTHES HOOK**

11-gauge, Type-304 stainless steel, satin finish. Hook is 1 ¼" x 1 ¼" and projects 1 ⅞" from wall. Unit is 2 ¼" H.



# Hooks/Shelves/Custodial Accessories



**B-2116**



**B-211**

⚡ **B-2116 HEAVY-DUTY CLOTHES HOOK WITH CONCEALED MOUNTING**



Locks to wall plate with three stainless steel setscrews for theft-resistant mounting. Hook and flange are one-piece brass casting with satin nickel-plated finish to match stainless steel. Withstands 300 lbs downward pull. Flange diameter: 2 3/4". Unit projects 3 7/16" from wall.

⚡ **B-211** Similar to B-2116, but with three exposed countersunk mounting screw holes.

**NEW**



**B-5116 NYLON-COATED SINGLE CLOTHES HOOK**

Polyamide 6 fiberglass reinforced nylon with glossy finish. Snaps over wall plate to conceal mounting screws. Unit 2 11/16" L, 1 5/16" H, Projects 1 13/16".



⚡ **B-682 HAT AND COAT HOOK**

Bright-polished stainless steel. Flange is 2" x 2". Hook 1" W, 6 1/2" H; projects 3 1/4" from wall. Concealed wall plate.

⚡ **B-6827** Similar to B-682, but with satin finish.



⚡ **B-232 X 24 HOOK STRIP**

Type-304 stainless steel, satin finish. Hooks are 1" W, 6 1/2" H; projects 2 1/4" from wall. Mounting strip is 4" H and has 1/4" return.



**B-983 VANDAL-RESISTANT CLOTHES HOOK (SECURED FROM FRONT)**



Type-304 satin-finish stainless steel. Back plate is 14-gauge. Hook snaps down for safety if excessively loaded. Back plate 5 1/8" W, 5 1/8" H, 7/8" D. Hook projects 1 1/4" from back plate. Furnished with tamper-resistant mounting screws.

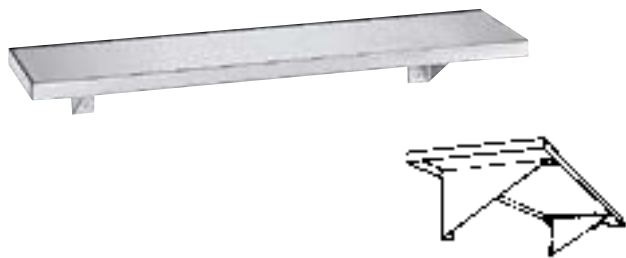


**B-985 VANDAL-RESISTANT HOOK STRIP**



Back plate is 14-gauge, Type-304, satin-finish stainless steel. Four stainless steel hooks snap down for safety if excessively loaded. Furnished with tamper-resistant mounting screws. Unit 18" W, 5 1/2" H, 7/8" D. Hooks project 1 1/4" from back plate.

# Hooks/Shelves/Custodial Accessories



## ⚡ B-295 STAINLESS STEEL SHELF

5" wide, 18-gauge, Type-304 stainless steel, satin finish.  $\frac{3}{4}$ " return edge; front edge is hemmed for safety. Brackets are 16-gauge. Available in one-piece lengths:  $\frac{1}{8}$ 16", 18", 24".

**B-296** Similar to B-295, but shelf is 6" wide, 18" L.

**B-298** Similar to B-295, but shelf is 8" wide, 18", 24" L.



## ⚡ B-224 SHELF WITH MOP AND BROOM HOLDERS AND RAG HOOKS

Shelf is 18-gauge, Type-304 stainless steel, satin finish; 36" L, 6" H, 8" D. Four anti-slip mop holders have spring-loaded rubber cams that grip handles  $\frac{7}{8}$ " to 1  $\frac{1}{4}$ " dia. Holds mops 8" from wall. Three stainless steel rag hooks. Rod for wet rags below shelf.



## ⚡ B-287 FOLDING UTILITY SHELF

Easily installed on toilet partition or wall. Type-304 stainless steel, satin finish. Pull-down shelf returns to upright position when not in use. Supports 100 lbs when properly installed. Shelf 14  $\frac{1}{2}$ " L, 5  $\frac{3}{4}$ " W.



## B-239 SHELF WITH MOP AND BROOM HOLDERS AND HOOKS

Shelf is 18-gauge, Type-304 stainless steel, satin finish; 34" L, 13" H, 8" D. Three anti-slip mop holders have spring-loaded rubber cams that grip handles  $\frac{7}{8}$ " to 1  $\frac{1}{4}$ " dia. Four stainless steel hooks.

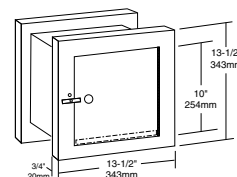
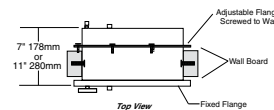


## ⚡ B-223 MOP AND BROOM HOLDER

Type-304 stainless steel, satin finish. Anti-slip mop holders have spring-loaded rubber cams that grip handles  $\frac{7}{8}$ " to 1  $\frac{1}{4}$ " dia. Holds mops 3  $\frac{1}{4}$ " from wall. Height 5".

MODEL NO.	NO. HOLDERS	LENGTH
⚡B-223 x 24	3	24"
⚡B-223 x 36	4	36"

NEW



## B-50516 RECESSED SPECIMEN PASS-THRU CABINET

Provides convenient passage for specimen from patient area to laboratory. Mounts in walls 3" to 5  $\frac{3}{4}$ " thick. 7" D. Type-304 stainless steel, satin finish. Self-closing doors. Interlocking mechanism prevents both doors from being open at the same time; provides sight barrier. Removable stainless steel tray.

**B-50517** Similar to B-50516, but 11" D.

BOBRICK

Distributed by  
www.PandaProducts.com  
Phone: (800) 608-6568  
Fax: (409) 840-5545  
info@pandaproducts.com

# Koala Kare Child Care Products

Distributed by  
[www.PandaProducts.com](http://www.PandaProducts.com)  
 Phone: (800) 608-6568  
 Fax: (409) 840-5545  
[info@pandaproducts.com](mailto:info@pandaproducts.com)



## KB110-SSRE HORIZONTAL, RECESSED-MOUNTED

18-gauge, Type-304 satin stainless steel exterior finish with molded grey color polyethylene interior. Unit 37" W, 23" H. Depth (closed) 1/4". Extension (open) 15".



## KB110-SSWM HORIZONTAL, WALL-MOUNTED

18-gauge, Type-304 satin stainless steel exterior finish with molded grey color polyethylene interior. Unit 35 1/4" W, 20" H. Depth (closed) 4". Extension (open) 19".



## KB200-SS HORIZONTAL, WALL-MOUNTED WITH STAINLESS STEEL VENEER

Polypropylene cabinet and bed with 22-gauge, Type-304 satin stainless steel veneer. Unit 35 3/16" W, 22 1/4" H. Depth (closed) 4". Extension (open) 23 3/16".

**KB200-01SS** Grey, **KB200-05SS** White Granite



## KB200-00 HORIZONTAL, WALL-MOUNTED

Cream color polypropylene cabinet and bed. Unit 35 3/16" W, 22 1/4" H. Depth (closed) 4". Extension (open) 23 3/16". Available from Bobrick in cream color only.



## KB101-00 VERTICAL, WALL-MOUNTED

Cream color polyethylene cabinet and bed. Unit 22" W, 35 1/2" H. Depth (closed) 5 1/4". Extension (open) 35". Available from Bobrick in cream color only.



[www.koalabear.com](http://www.koalabear.com) 888.733.3456

For copies of Koala's full line Baby Changing Station Catalog, or for the name of your Bobrick-Koala Representative, please call Koala toll-free or visit us online.

## WARRANTIES:

The following Bobrick products are warranted to be free from defects in workmanship and material under normal usage from the date of purchase for the periods set forth below. (Rust and discoloration to stainless steel parts resulting from exposure to harsh environmental and/or chemical conditions are not considered to be defects in workmanship or material and there is no express or implied warranty for such condition. Refer to Bobrick Bulletin TB-21, Stainless Steel Cleaning and Maintenance.)

Washroom Accessories/Soap Dispensers	Limited Warranty
ConturaSeries Washroom Accessories	3 years
Soap Dispensers	
B-306, B-4063, B-4112, B-822 Series, B-823, B-8231, B-8236 B-82316, B-824, B-840, B-845, B-846, B-848, B-849, B-850, B-855, B-856, B-858, B-859	3 years
B-830 SureFlo Soap System Soap Pumps	Lifetime warranty provided Bobrick SureFlo Soap is used exclusively with this product
Designer Faucets	
B-8870, B-8875, B-8876, B-8878	3 years
Mirrors	Limited Warranty
B-165, B-1658, B-166 Series	15 years
B-290, B-2908, B-292, B-293, B-294 Series	

The following Bobrick mirrors are warranted against silver spoilage from the date of purchase for the periods set forth above:

Koala Kare products are backed by a 5-year limited liability warranty to be free of defects in workmanship and material, and a 5-year replacement policy against vandalism.

Hand Dryers

Please refer to page 23.

## OTHER PRODUCTS:

Bobrick washroom accessories not listed above are warranted to be free from defects in workmanship and material under normal usage service for one year from the date of purchase.

## LIMITATIONS ON WARRANTIES:

In all instances, the purchaser's exclusive remedy against Bobrick is for the repair or replacement, at Bobrick's option, of warranted defective products or parts. Bobrick will also bear the cost of the purchaser's return of defective products or parts to Bobrick. Bobrick's warranties set forth above do not cover damage resulting from vandalism. No other remedy (including, but not limited to, damages for field labor charges, lost profits, lost sales, injury to persons or property or any other incidental or consequential losses) is available.

## DOMESTIC PATENTS:

Bobrick products are protected under one or more of the following Patent Numbers:

**Canada:** 2635260, 2559004, 2342510, 2336013, 2311345, 2309470, 2220402, 131651, 130179, 114926.

**United States:** 9226624, 9135533, 8978925, 8752724, 8631967, 8579157, 8375490, 8365328, 8276229, 8152021, 7950513, 7552974, 7469779, 7431159, 6276027, 6269503, 6129245, 6119901, 6032819, 5988451, 5987677, 5927805, 5906015, 5887762, 5871113, 5660011, D742652, D737,652, D735489, D727645, D7175500, D696,041, D695,610, D686,840, D605886, D601843, D601422, D546081, D459131. Other patents pending.

Components of Models B-2974, B-29744, B-3974, B-39747, B-3979, 3974-250 and B-72974 are covered by patent numbers owned by our supplier:

**Canada:** 2572341, 2533000, 2489669; **United States:** 8807475, 7594622, 7296765, 7084592, 7040566, 7963475.

Components of Models B-3961, B-39617, B-39619, B-72860 and B-2860 are covered by patent numbers owned by our supplier: **Canada:** 2439918; **United States:** 6553879, 6314850.

Components of Part No. 251-4 are covered by patent numbers owned by our supplier: **Canada:** 2308182; **United States:** 6007285, 5944466.



## Being Green and Seeing Green.

Bobrick's green leaf symbol appears throughout this catalog adjacent to many products that offer environmental benefits such as conservation of paper, landfill mitigation, stainless steel recycling, post-consumer and post-industrial waste reduction, and LEED qualification:

- Reduce/Reuse – Products that save paper and/or reduce waste by compliance with US EPA Reduce/Reuse Resource Conservation Initiative.
- Universal Roll Towel Dispensers reduce towel usage up to 30%.
- TowelMate saves up to 20% of folded paper towel consumption.
- Hand Dryers eliminate paper towel usage.
- Zero-Waste Universal Bulk Fill Soap Dispensers eliminate cartridges, reducing landfill impact and post consumer waste by 57%.
- Restroom Accessories are fabricated of 50-70% recycled stainless steel.
- Koala Baby Changing Stations are fabricated of 16-68% recycled materials.
- TB-88 Washroom Accessories LEED Information.



## Buy America Compliance.

For a product list of country-of-origin, please visit [bobrick.com](http://bobrick.com).  
<http://bobrick.com/Pages/BuyAmericaCompliance.aspx>

Illustrations and descriptions herein are applicable to production as of the date of this catalog. The manufacturer reserves the right and does from time to time make changes and improvements in designs and dimensions.

DuraDry, InstaDry, MatrixSeries, TerraDry, TrimDry, TrimLineSeries, QuietDrySeries are each trademarks; AirCraft, Bobrick, ClassicSeries, ConturaSeries, Koala, Koala Kare, Koala Kare Products, LinerMate, LiquidMate, QuickShip, SureFlo, TowelMate are registered trademarks of Bobrick Washroom Equipment, Inc.

## Toilet Partition Catalog

Bobrick's performance-engineered toilet partitions are available in a variety of materials such as: High Pressure Laminate, Compact Laminate and Solid Core Reinforced Composite. Please refer to the Bobrick Toilet Partition Catalog for more information on selecting and specifying the most appropriate material, configuration, hardware and options for your new construction or renovation project.



Distributed by  
[www.PandaProducts.com](http://www.PandaProducts.com)  
Phone: (800) 608-6568  
Fax: (409) 840-5545  
[info@pandaproducts.com](mailto:info@pandaproducts.com)